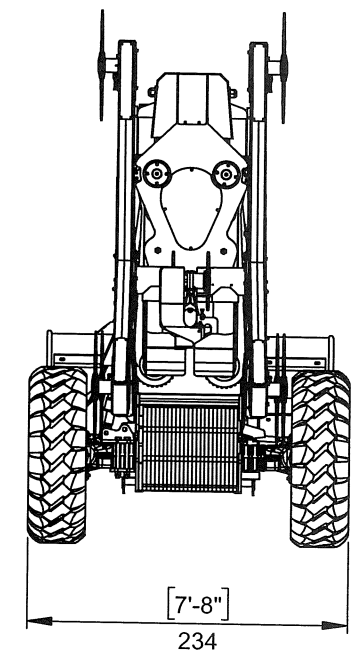
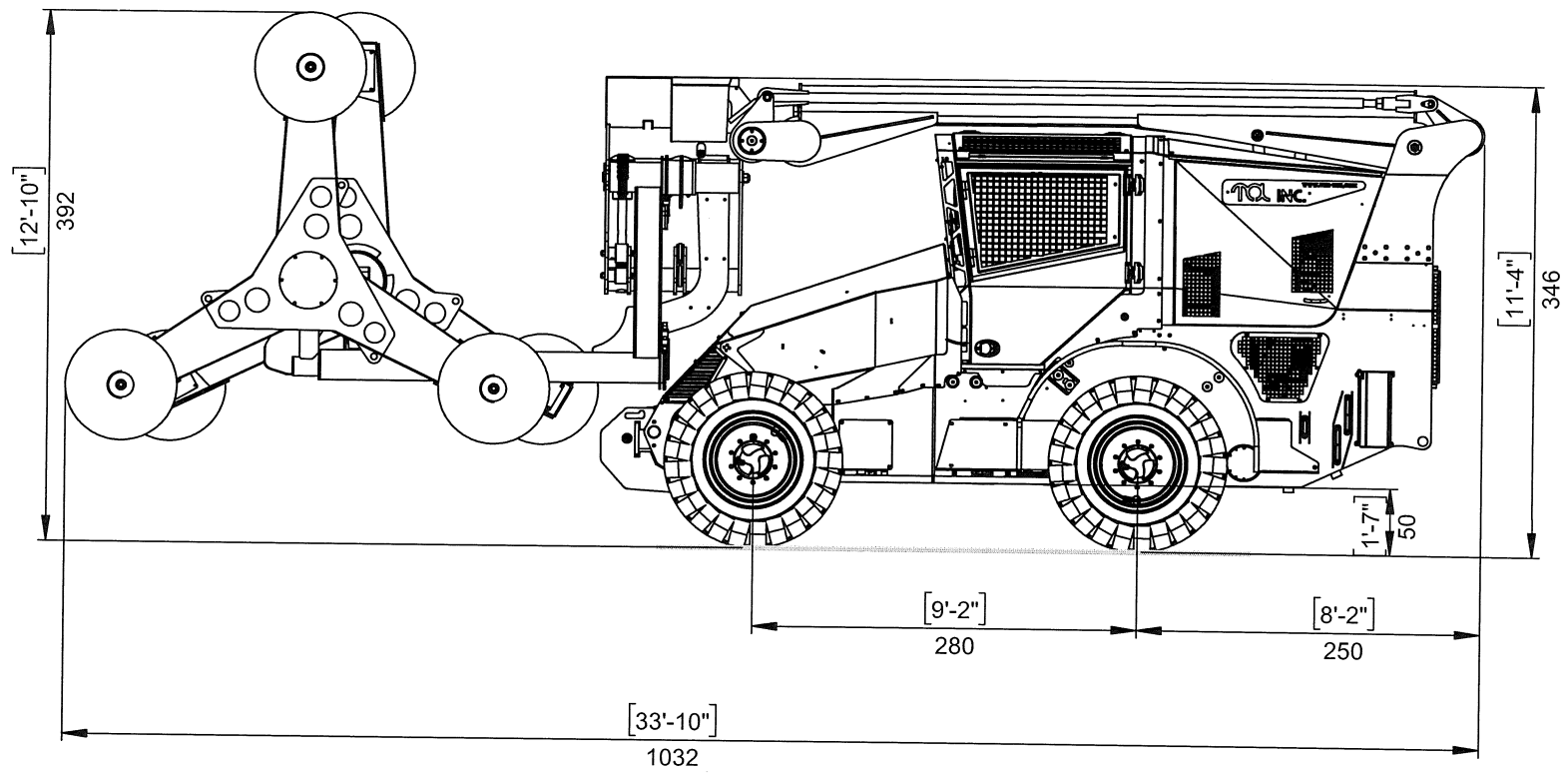


All proprietary rights reserved by TOL Incorporated. This drawing shall not be reproduced or in any way utilized, for the manufacture of the component or unit here in illustrated and must not be replaced to other parties without written consent by TOL Incorporated. Any infringement will be legally pursued.

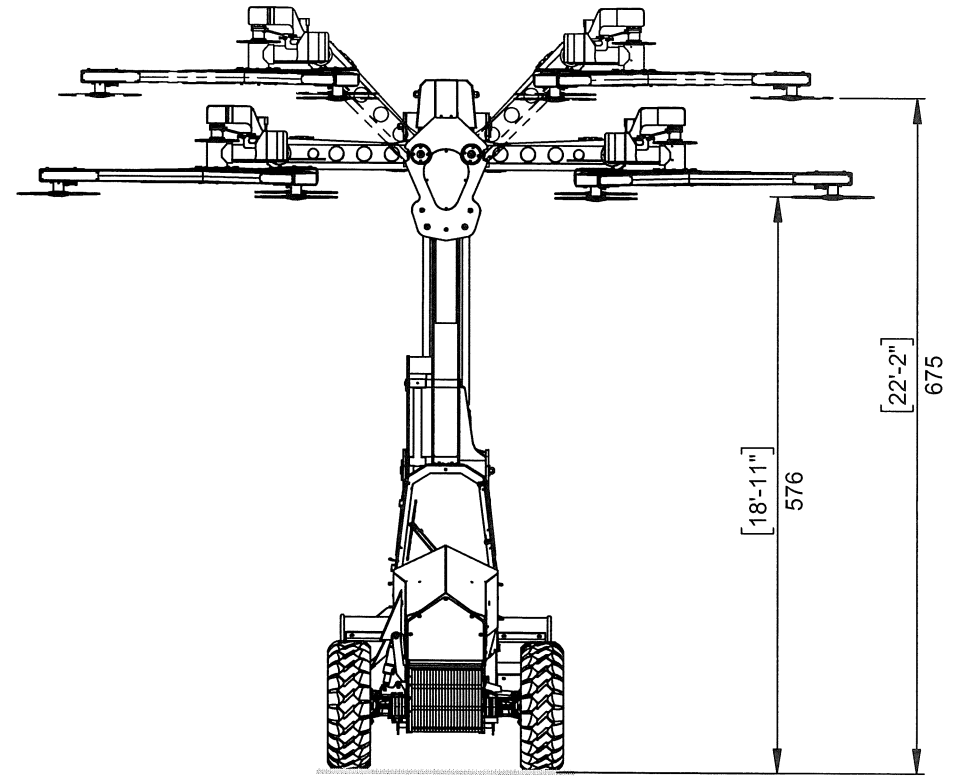
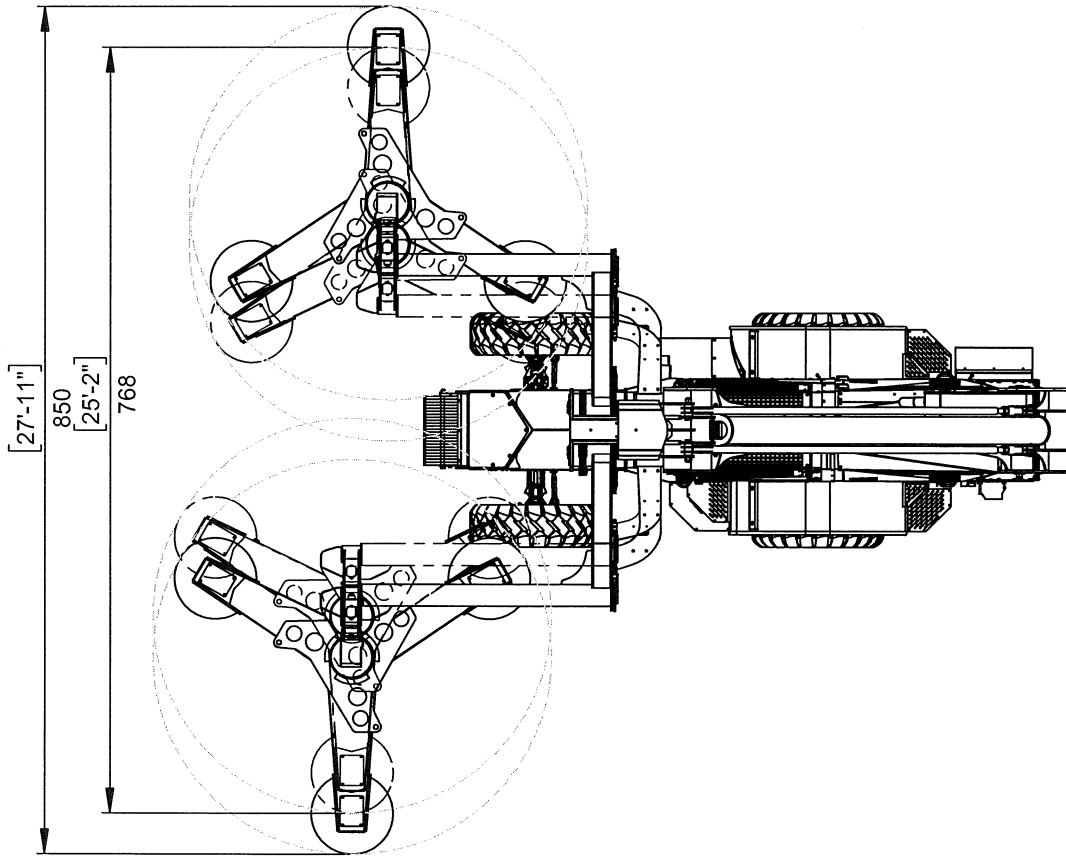
Machine model:	HD 1400 - T4	
Dimension drawing	Version:	12.2019.00
<p>As our policy is one of continuous improvement we reserve the right to change specification without notice and without incurring obligation.</p> <p>Machine dimension may vary according to special option, tractor size (kit models), or special feature.</p> <p>Remarks: All dimensions are in dual properties: feet-inches & centimeters</p>	Scale:	1:40
	Date:	Dec. 2019
	Sheet:	1 of 4
All dimensions are rounded		




All proprietary rights reserved by TOL Incorporated. This drawing shall not be reproduced or in any way utilized, for the manufacture of the component or unit here in illustrated and must not be replaced to other parties without written consent by TOL Incorporated. Any infringement will be legally pursued.

Machine model:	HD 1400 - T4	
Dimension drawing	Version:	12.2019.00
	Scale:	1:55
	Date:	Dec. 2019
	Sheet:	2 of 5
Remarks: All dimensions are in dual properties: feet-inches & centimeters		

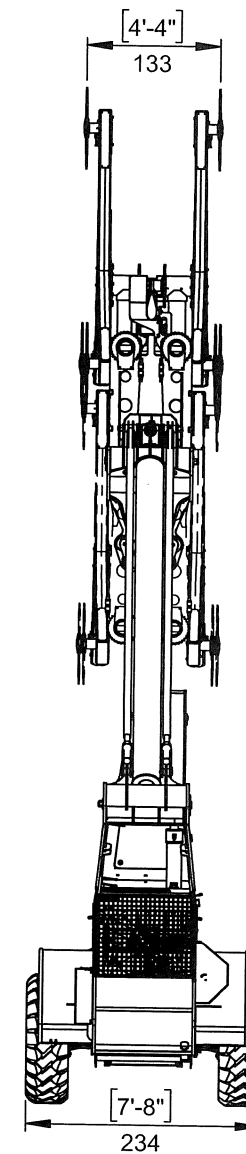
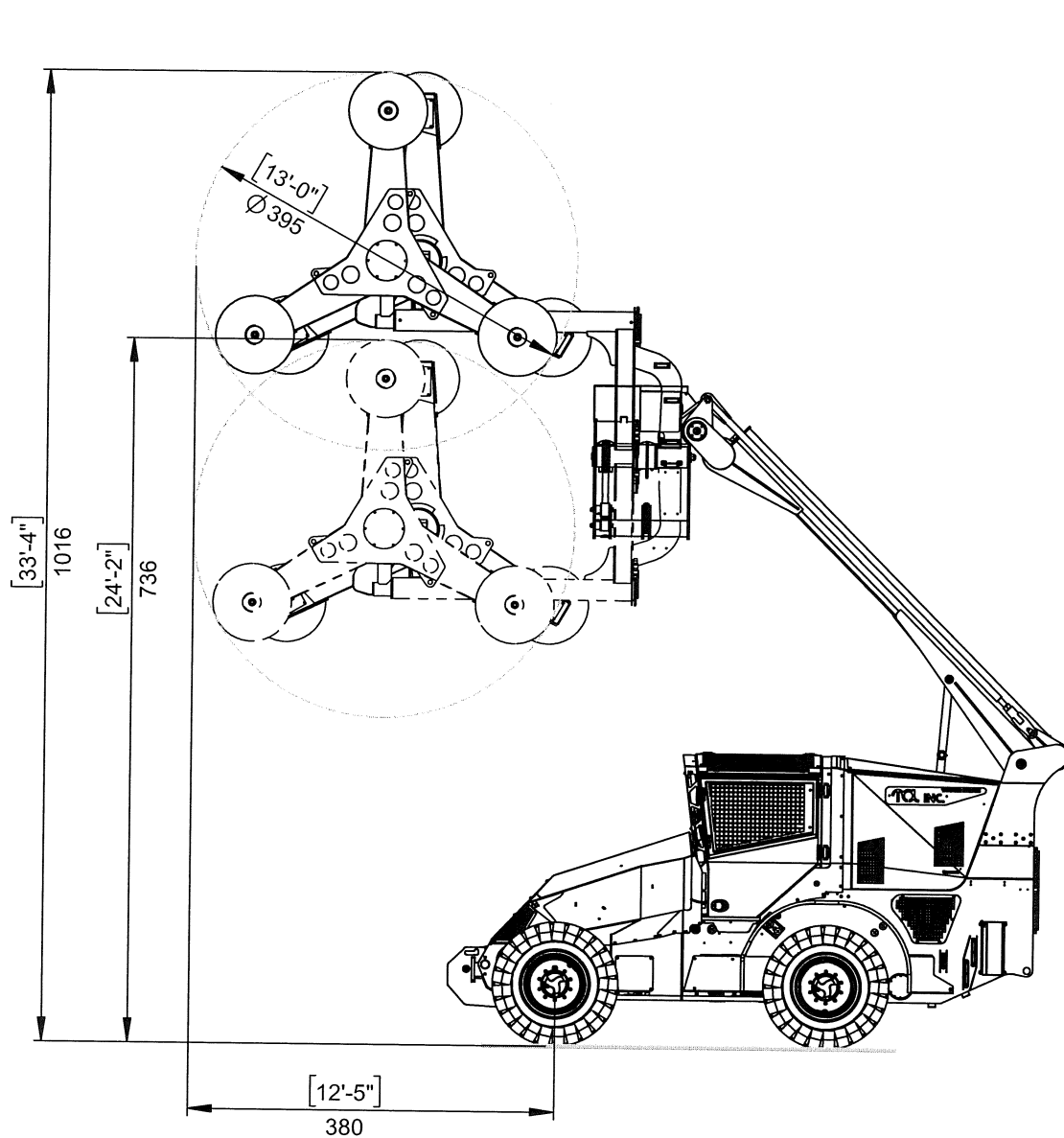
All dimensions are rounded



All proprietary rights reserved by TOL Incorporated. This drawing shall not be reproduced or in any way utilized, for the manufacture of the component or unit here in illustrated and must not be replaced to other parties without written consent by TOL Incorporated. Any infringement will be legally pursued.

Machine model:	HD 1400 - T4		
Dimension drawing	Version:	12.2019.00	
	Scale:	1:75	
	Date:	Dec. 2019	
	Sheet:	3 of 4	
Remarks:	All dimensions are in dual properties: feet-inches & centimeters		
			

All dimensions are rounded

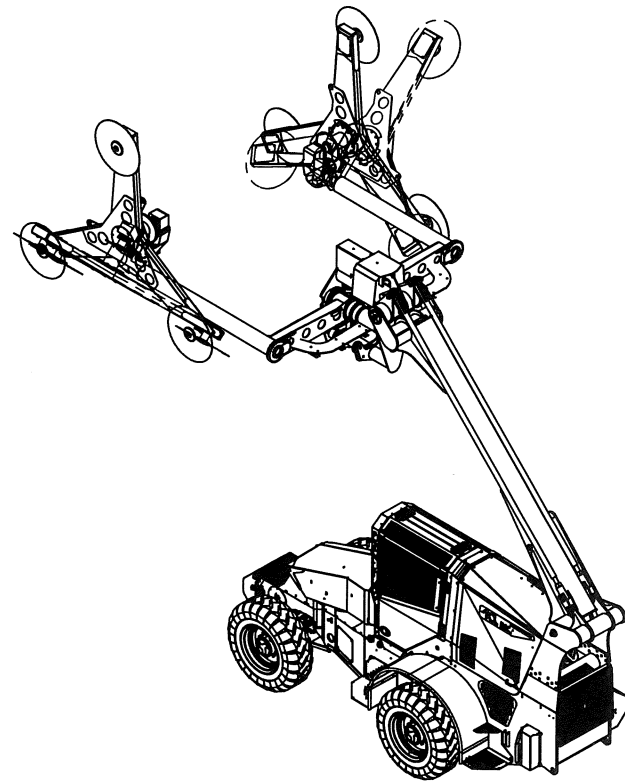
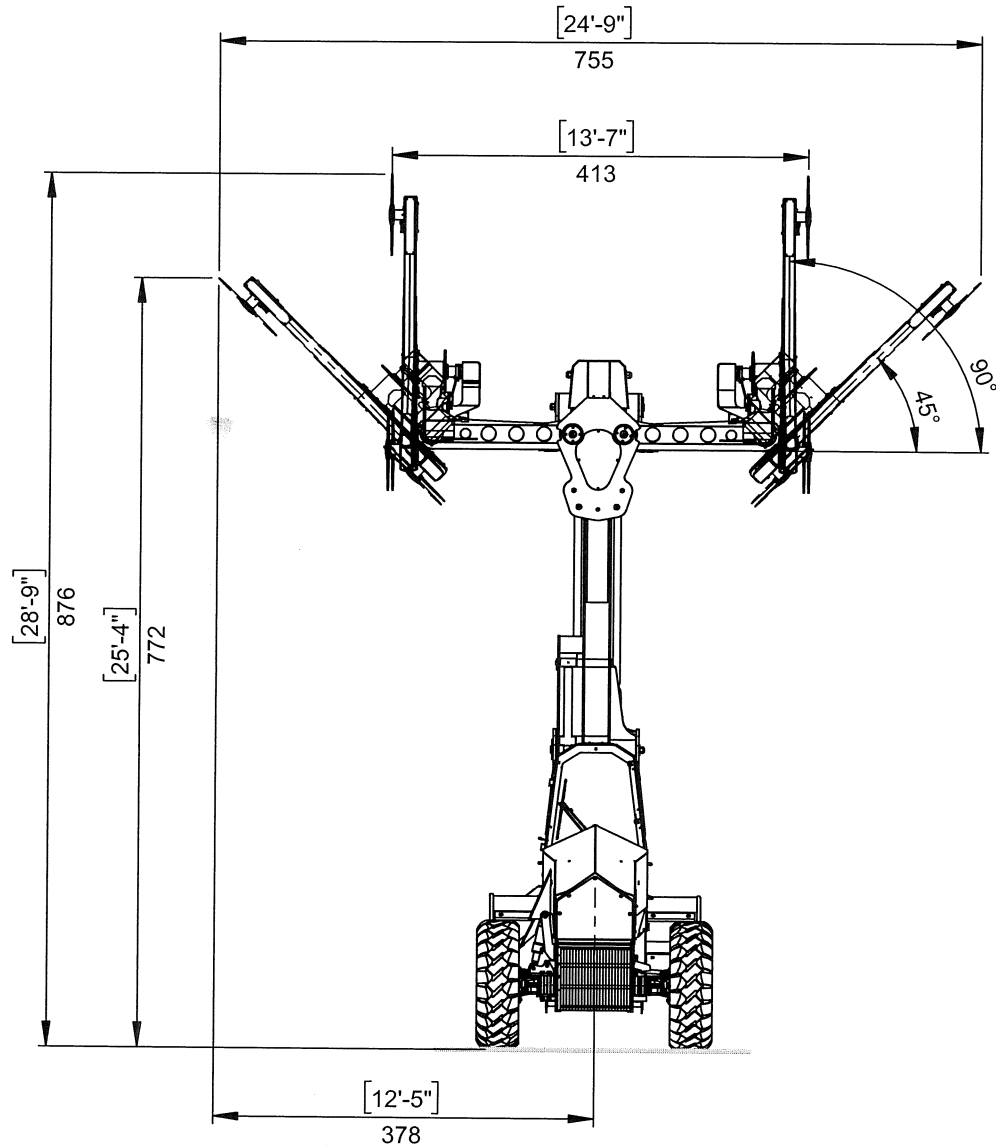


All proprietary rights reserved by TOL Incorporated. This drawing shall not be reproduced or in any way utilized, for the manufacture of the component or unit here in illustrated and must not be replaced to other parties without written consent by TOL Incorporated. Any infringement will be legally pursued.


Machine model:	HD 1400 -T4	
Dimension drawing	Version:	12.2019.00
	Scale:	1:75
	Date:	Dec. 2019
	Sheet:	4 of 4
All dimensions are rounded		
Remarks:	All dimensions are in dual properties: feet-inches & centimeters	

As our policy is one of continuous improvement we reserve the right to change specification without notice and without incurring obligation.

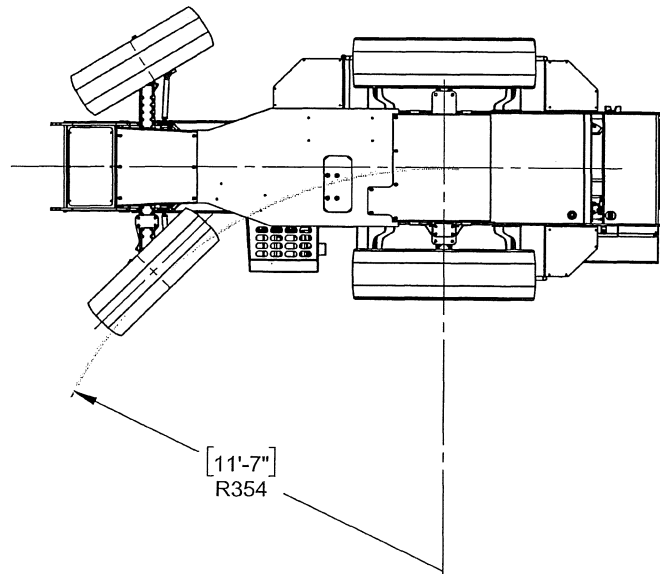
Machine dimension may vary according to special option, tractor size (kit models), or special feature.



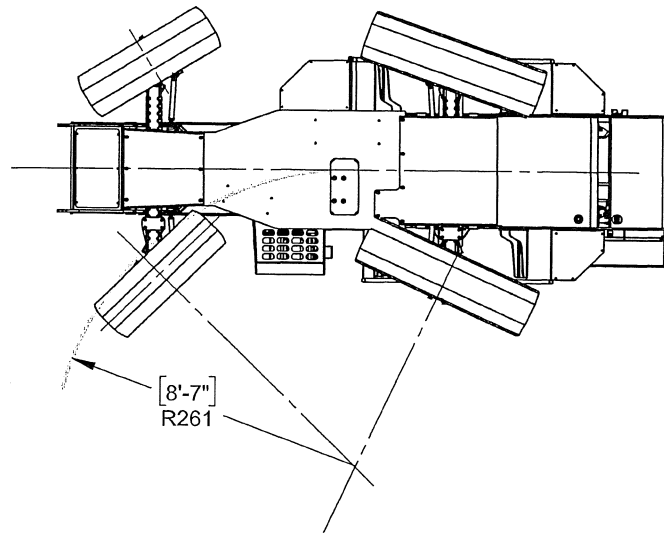
All proprietary rights reserved by TOL Incorporated. This drawing shall not be reproduced or in any way utilized, for the manufacture of the component or unit here in illustrated and must not be replaced to other parties without written consent by TOL Incorporated. Any infringement will be legally pursued.

Machine model:	HD 1400 - T4
Dimension drawing	Version: 12.2019.00
	Scale: 1:75
	Date: Dec. 2019
	Sheet: 4 of 5
Remarks: All dimensions are in dual properties: feet-inches & centimeters	
	

All dimensions are rounded




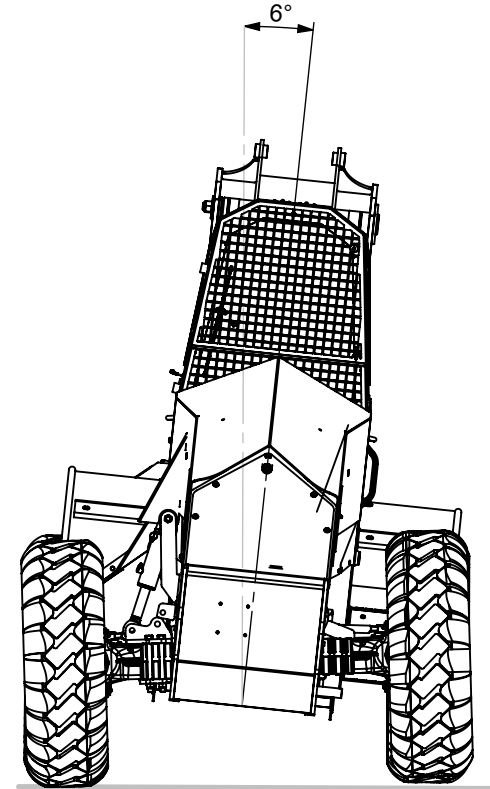
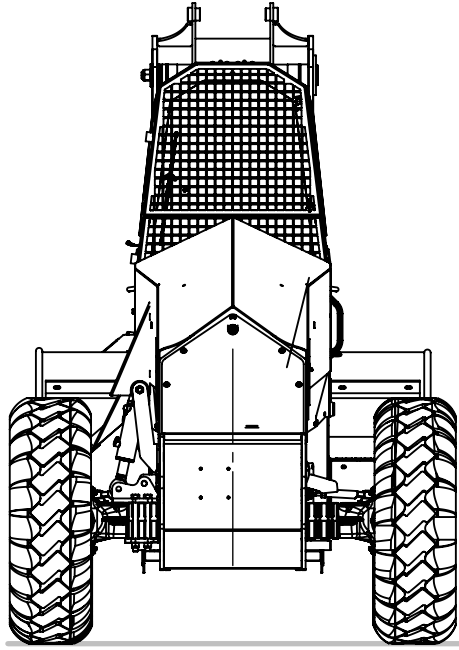
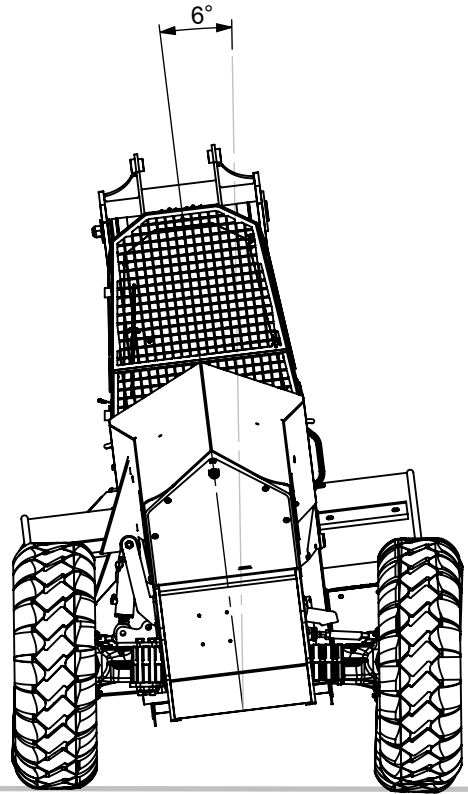
2WS



4WS

All proprietary rights reserved by TOL Incorporated. This drawing shall not be reproduced or in any way utilized, for the manufacture of the component or unit here in illustrated and must not be replaced to other parties without written consent by TOL Incorporated. Any infringement will be legally pursued.

Machine model:	HD 1400 - T4	
Dimension drawing	Version:	12.2019.00
As our policy is one of continuous improvement we reserve the right to change specification without notice and without incurring obligation.	Scale:	1:60
	Date:	Dec. 2019
Machine dimension may vary according to special option, tractor size (kit models), or special feature.	Sheet:	1 of 1
	All dimensions are rounded	
Remarks:	All dimensions are in dual properties: feet-inches & centimeters	
		



All proprietary rights reserved by TOL Incorporated. This drawing shall not be reproduced or in any way utilized, for the manufacture of the component or unit here in illustrated and must not be replaced to other parties without written consent by TOL Incorporated. Any infringement will be legally pursued.

Machine model:	6 Cyl.	
Dimension drawing	Version:	05.2021.00
	Scale:	1:40
	Date:	May 2021
	Sheet:	1 of 1
All dimensions are rounded		
Remarks: All dimensions are in dual properties: feet-inches & centimeters		