
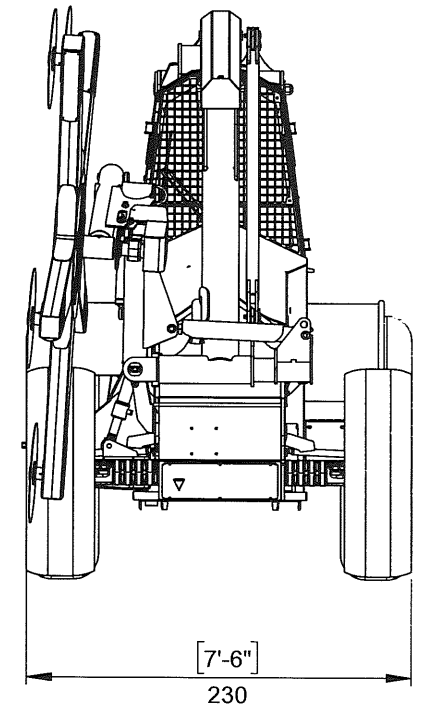
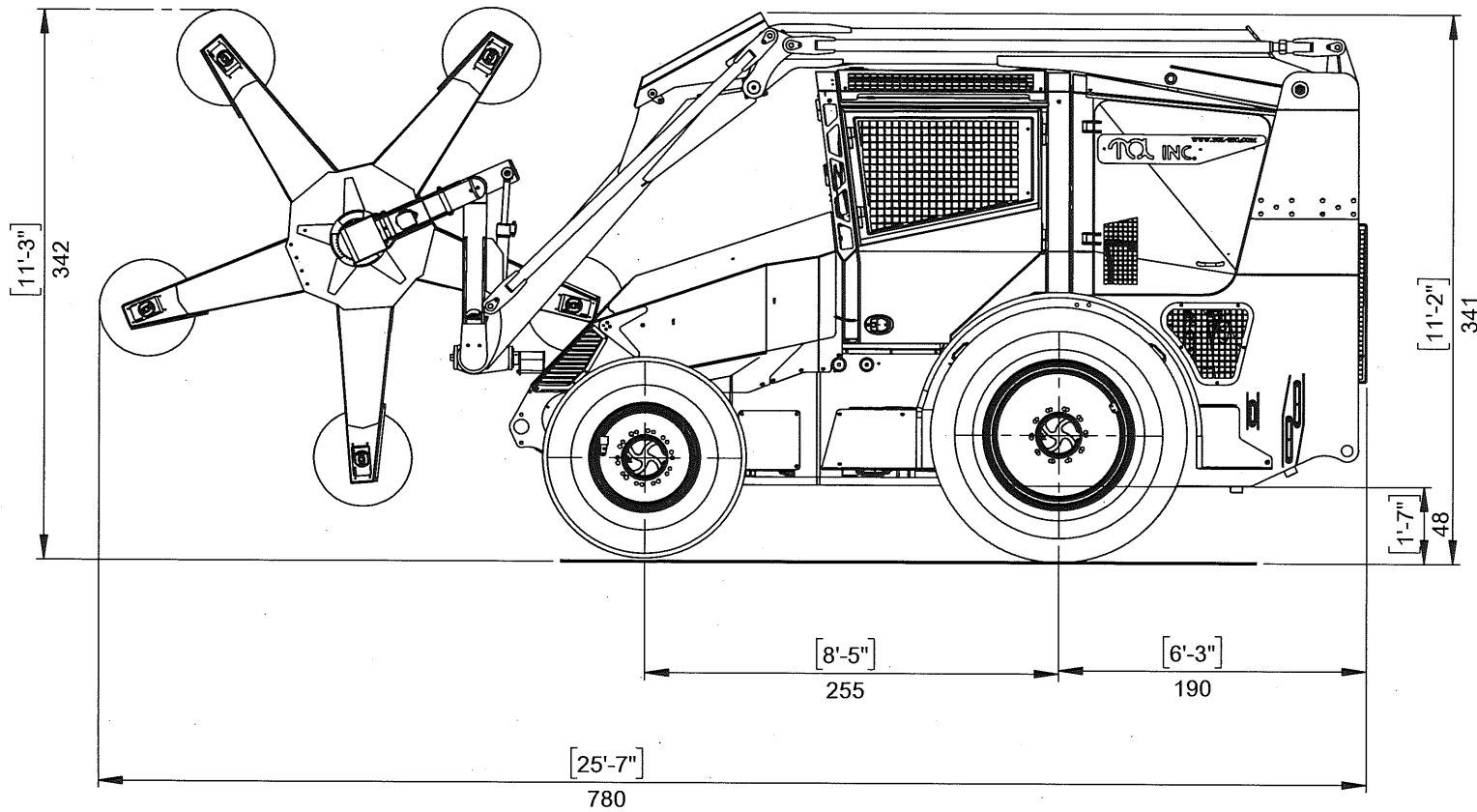


All proprietary rights reserved by TOL Incorporated. This drawing shall not be reproduced or in any way utilized, for the manufacture of the component or unit here in illustrated and must not be replaced to other parties without written consent by TOL Incorporated. Any infringement will be legally pursued.

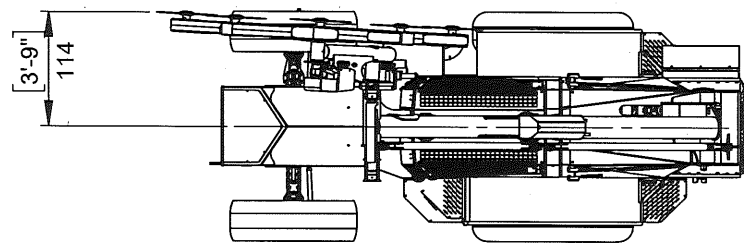
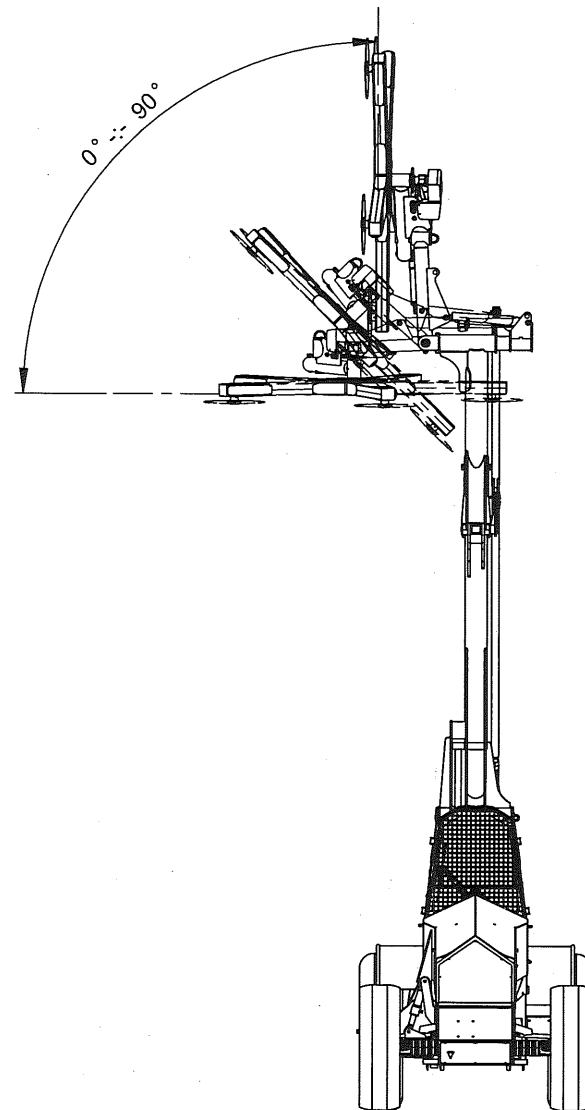
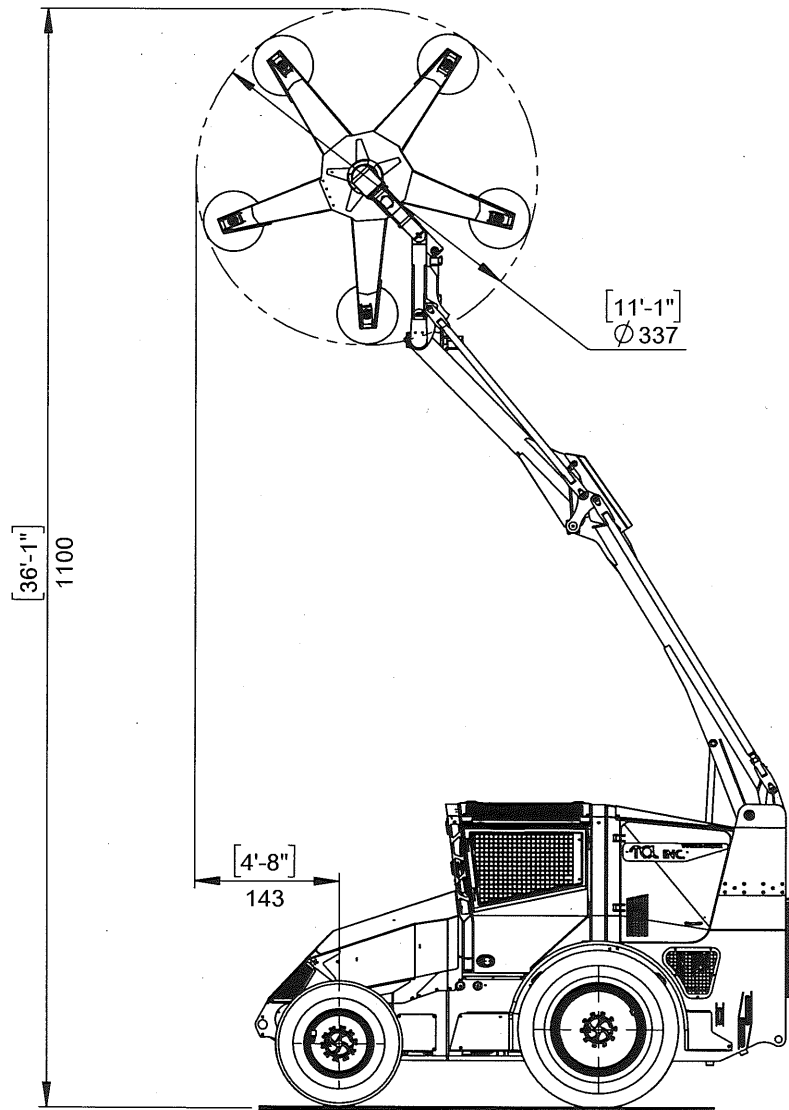
Machine model:		<b>TH 1100 CTH - T4</b>		
Dimension drawing		Version:	11.2018.00	
		Scale:	1:45	
		Date:	Nov. 2018	
		Machine dimension may vary according to special option, tractor size (kit models), or special feature.	Sheet:	1 of 7
		Remarks: All dimensions are in dual properties: feet-inches & centimeters		

All dimensions are rounded



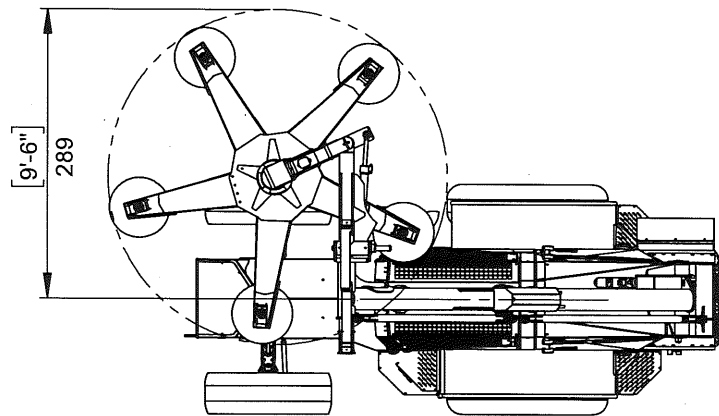
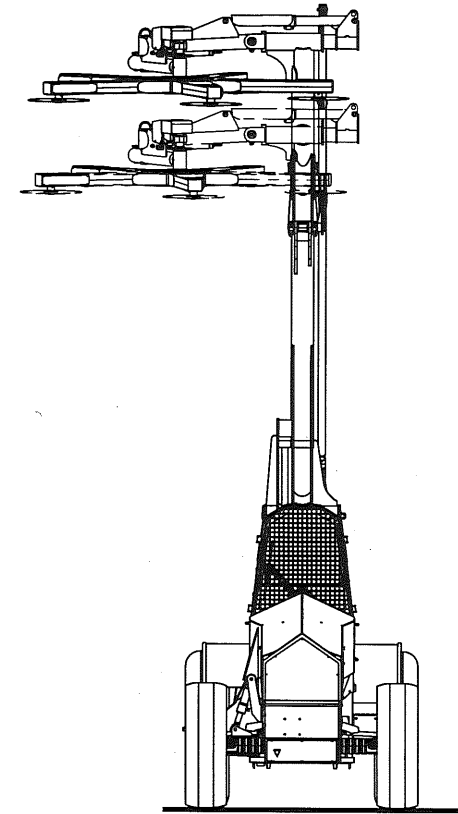
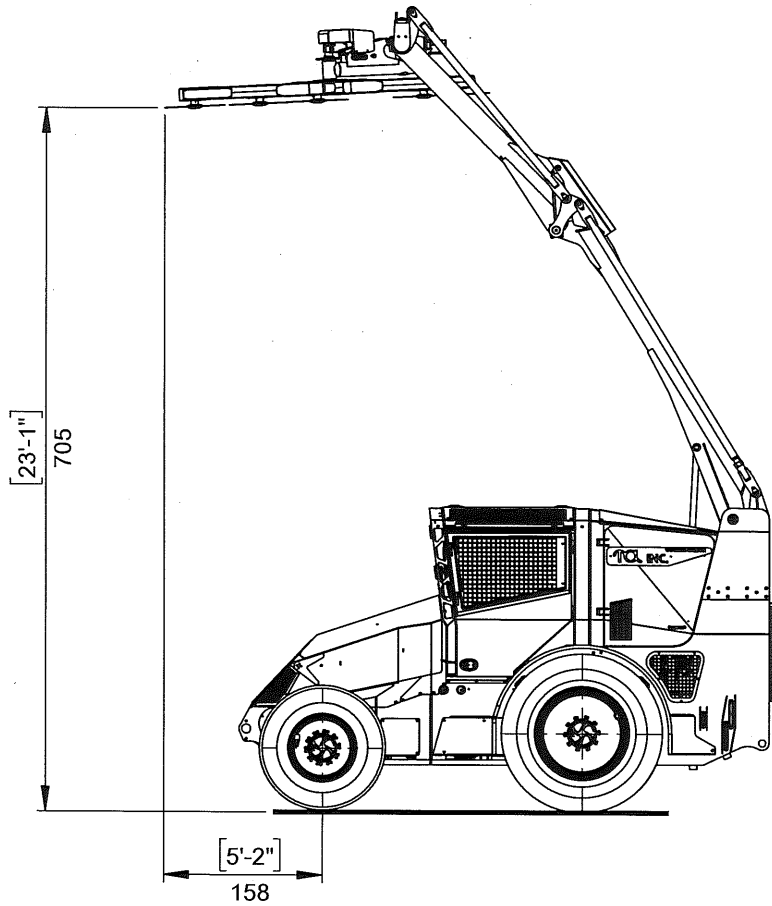
All proprietary rights reserved by TOL Incorporated. This drawing shall not be reproduced or in any way utilized, for the manufacture of the component or unit here in illustrated and must not be replaced to other parties without written consent by TOL Incorporated. Any infringement will be legally pursued.

Machine model:		<b>TH 1100 CTH - T4</b>	
Dimension drawing	Version:	11.2018.00	
As our policy is one of continuous improvement we reserve the right to change specification without notice and without incurring obligation.	Scale:	1:45	
	Date:	Nov. 2018	
Machine dimension may vary according to special option, tractor size (kit models), or special feature.	Sheet:	2 of 7	
	Remarks:	All dimensions are rounded	
All dimensions are in dual properties: feet-inches & centimeters			



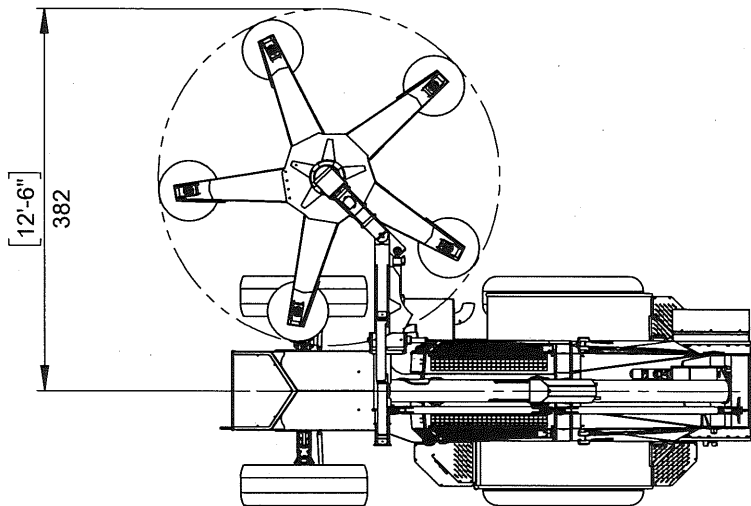
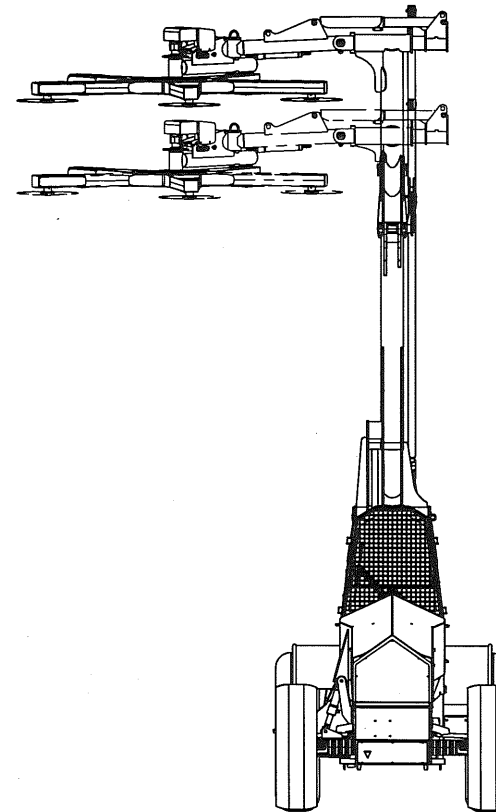
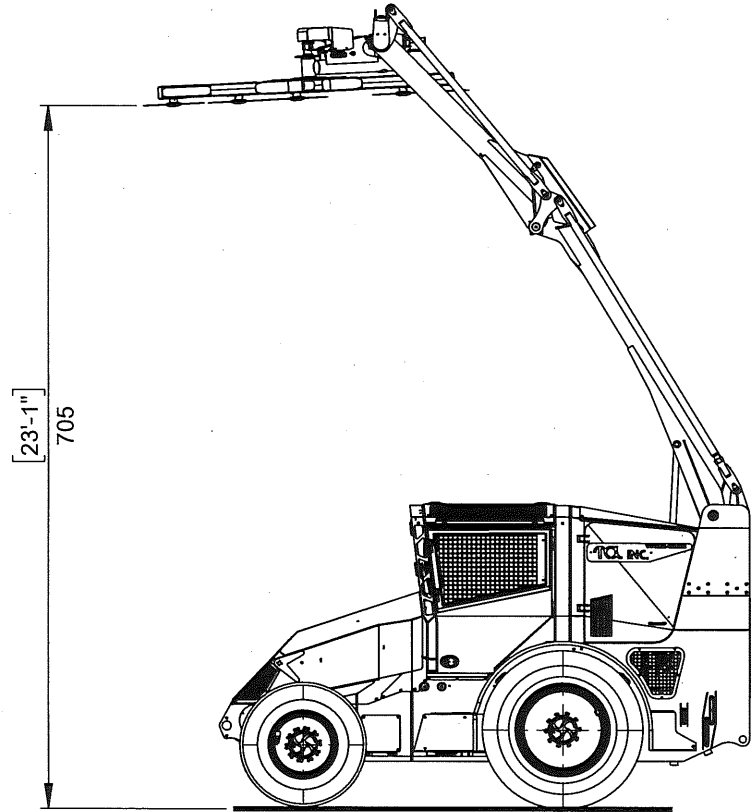
All proprietary rights reserved by TOL Incorporated. This drawing shall not be reproduced or in any way utilized, for the manufacture of the component or unit here in illustrated and must not be replaced to other parties without written consent by TOL Incorporated. Any infringement will be legally pursued.

Machine model:		<b>TH 1100 CTH - T4</b>	
Dimension drawing	Version:	11.2018.00	
As our policy is one of continuous improvement we reserve the right to change specification without notice and without incurring obligation.	Scale:	1:75	
	Date:	Nov. 2018	
Machine dimension may vary according to special option, tractor size (kit models), or special feature.	Sheet:	3 of 7	
	All dimensions are rounded		
Remarks:	All dimensions are in dual properties: feet-inches & centimeters		




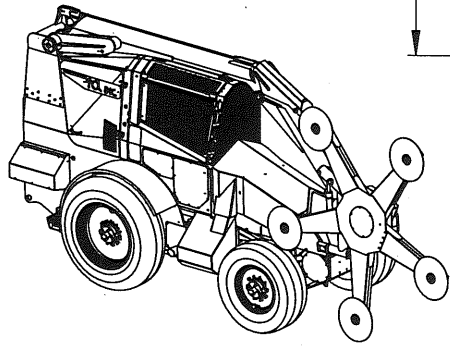
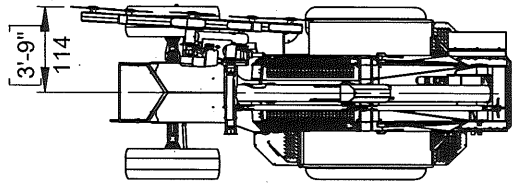
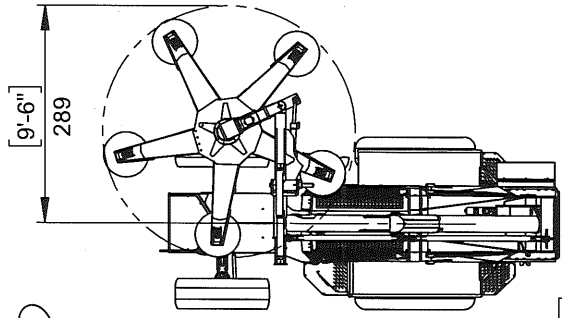
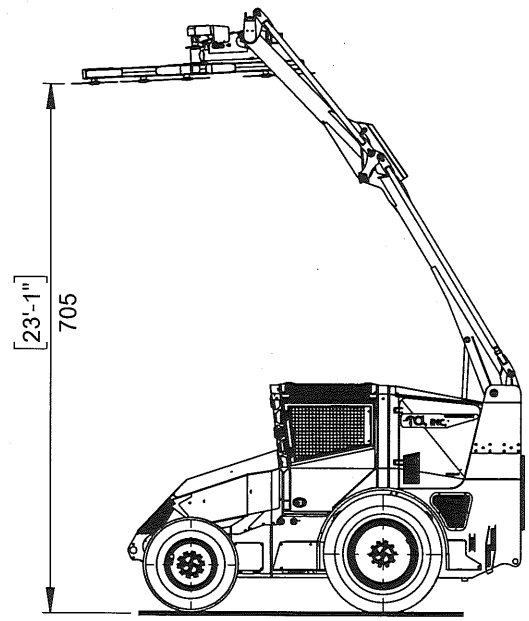
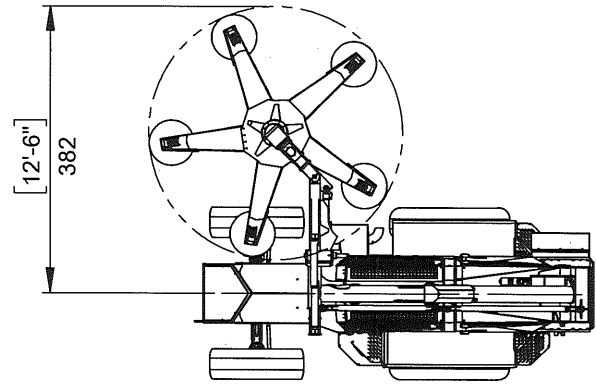
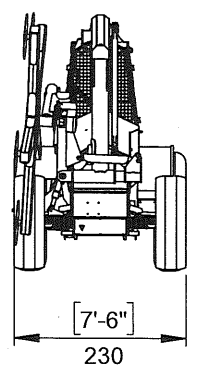
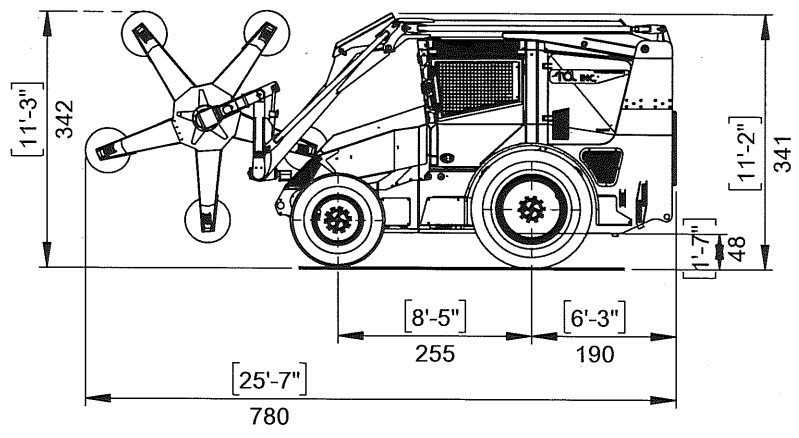
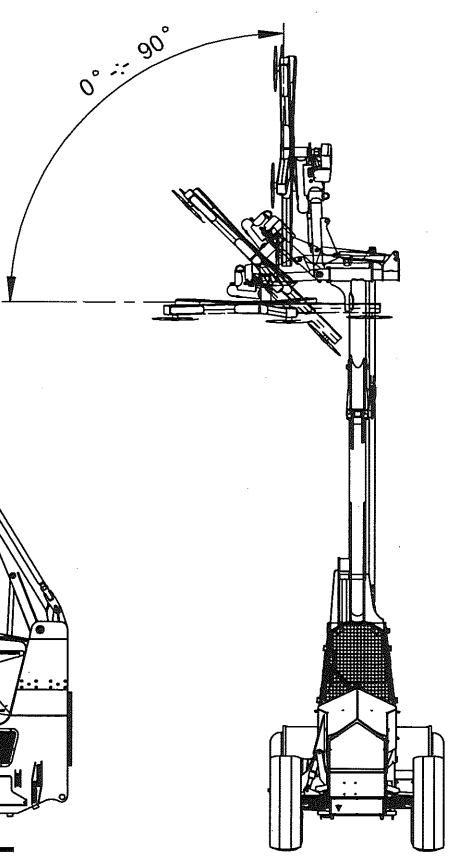
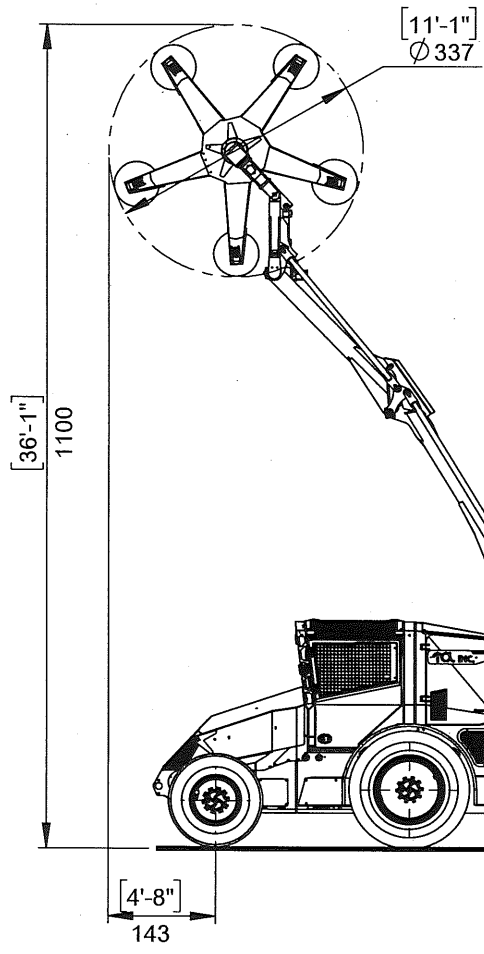
All proprietary rights reserved by TOL Incorporated. This drawing shall not be reproduced or in any way utilized, for the manufacture of the component or unit here in illustrated and must not be replaced to other parties without written consent by TOL Incorporated. Any infringement will be legally pursued.

Machine model:	<b>TH 1100 CTH - T4</b>		
Dimension drawing	Version:	11.2018.00	
As our policy is one of continuous improvement we reserve the right to change specification without notice and without incurring obligation.	Scale:	1:75	
	Date:	Nov. 2018	
Machine dimension may vary according to special option, tractor size (Kit models), or special feature.	Sheet:	4 of 7	
	Remarks:	All dimensions are rounded	
All dimensions are in dual properties: feet-inches & centimeters			



All proprietary rights reserved by TOL Incorporated. This drawing shall not be reproduced or in any way utilized, for the manufacture of the component or unit here in illustrated and must not be replaced to other parties without written consent by TOL Incorporated. Any infringement will be legally pursued.

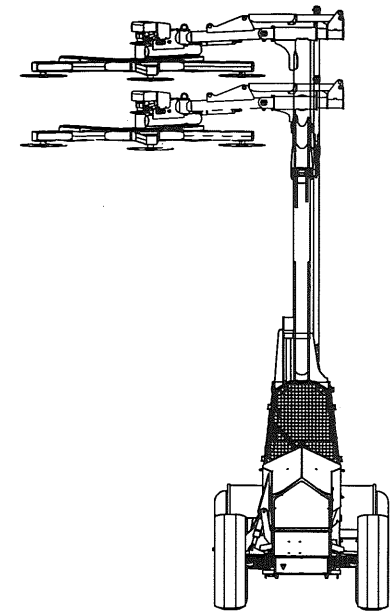
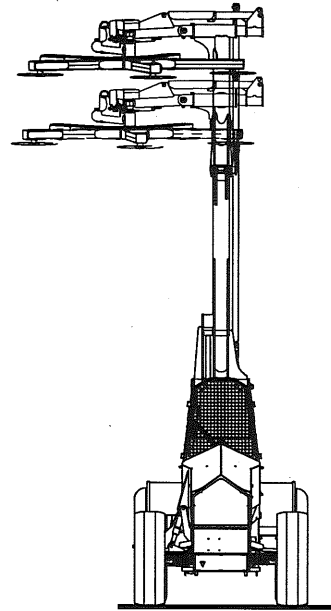
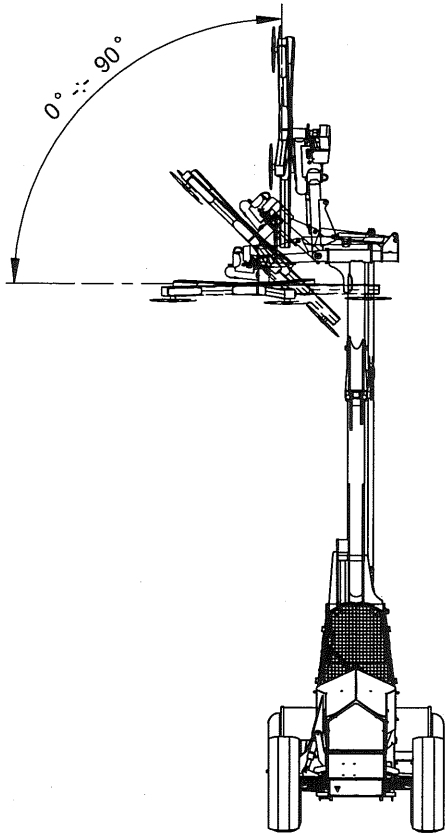
Machine model: <b>TH 1100 CTH - T4</b>		
Dimension drawing	Version:	16/11/18
As our policy is one of continuous improvement we reserve the right to change specification without notice and without incurring obligation.  Machine dimension may vary according to special option, tractor size (kit models), or special feature.  Remarks: All dimensions are in dual properties: feet-inches & centimeters	Scale:	1:75
	Date:	Month/Year
	Sheet:	5 of 7
All dimensions are rounded		
		



All proprietary rights reserved by TOL Incorporated. This drawing shall not be reproduced or in any way utilized, for the manufacture of the component or unit here in illustrated and must not be replaced to other parties without written consent by TOL Incorporated. Any infringement will be legally pursued.

Machine model:		<b>TH 1100 CTH - T4</b>	
Dimension drawing	Version:	11.2018.00	
	Scale:	1:100	
	Date:	Nov. 2018	
Machine dimension may vary according to special option, tractor size (kit models), or special feature.	Sheet:	6 of 7	
Remarks: All dimensions are in dual properties: feet-inches & centimeters	All dimensions are rounded		





All proprietary rights reserved by TOL Incorporated. This drawing shall not be reproduced or in any way utilized, for the manufacture of the component or unit here in illustrated and must not be replaced to other parties without written consent by TOL Incorporated. Any infringement will be legally pursued.

Machine model:		<b>TH 1100 CTH - T4</b>	
Dimension drawing	Version:	11.2018.00	
As our policy is one of continuous improvement we reserve the right to change specification without notice and without incurring obligation.  Machine dimension may vary according to special option, tractor size (kit models), or special feature.  Remarks: All dimensions are in dual properties: feet-inches & centimeters	Scale:	1:100	
	Date:	Nov. 2018	
	Sheet:	7 of 7	
		All dimensions are rounded	