
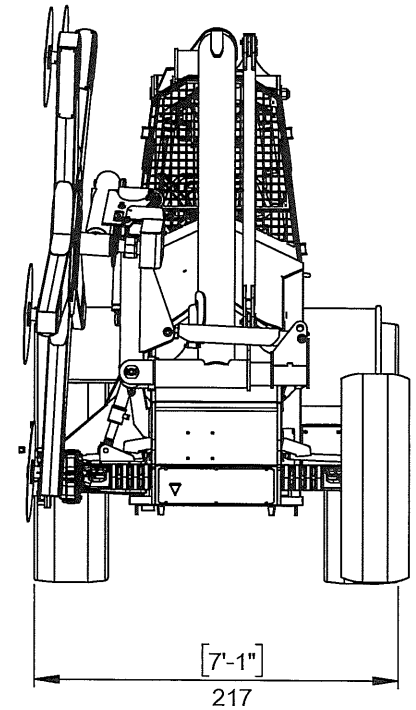
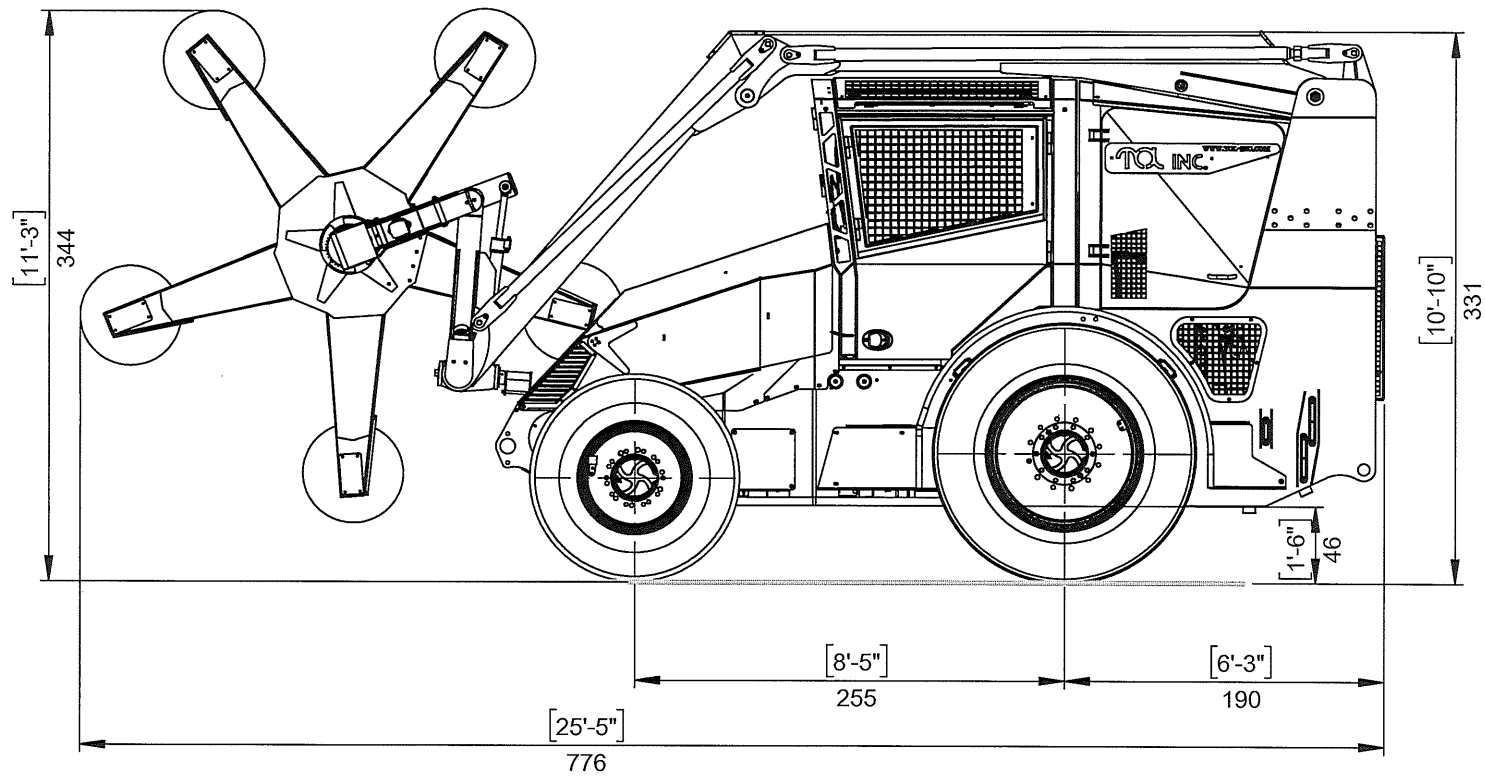



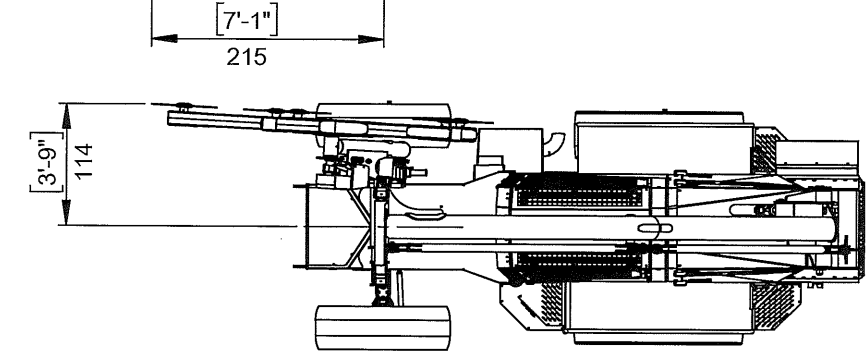
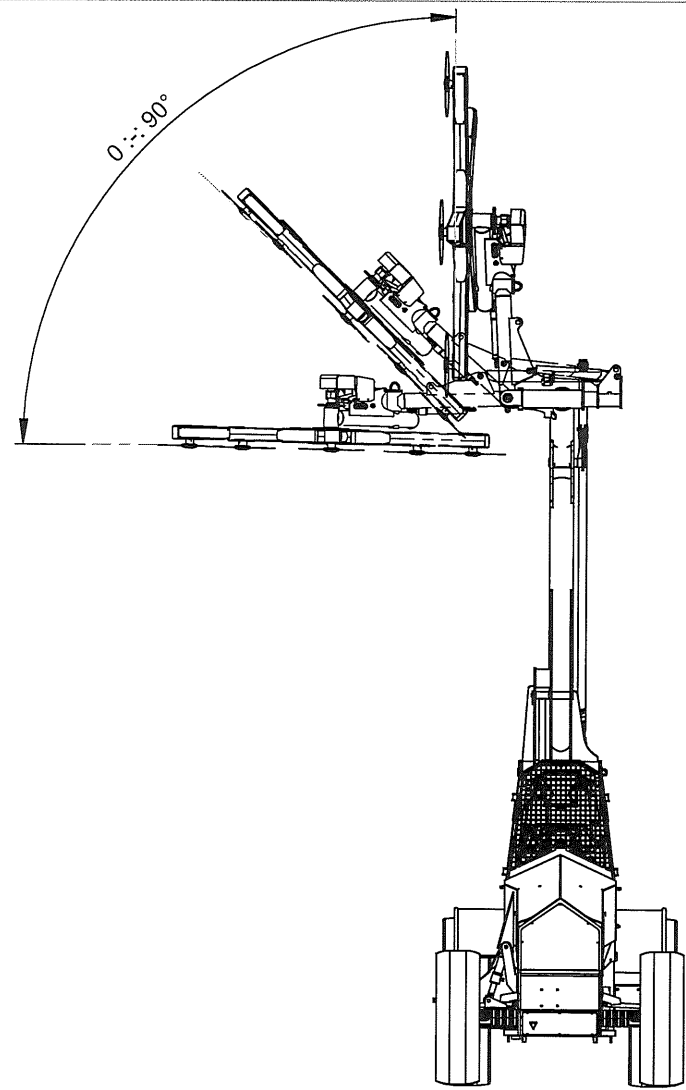
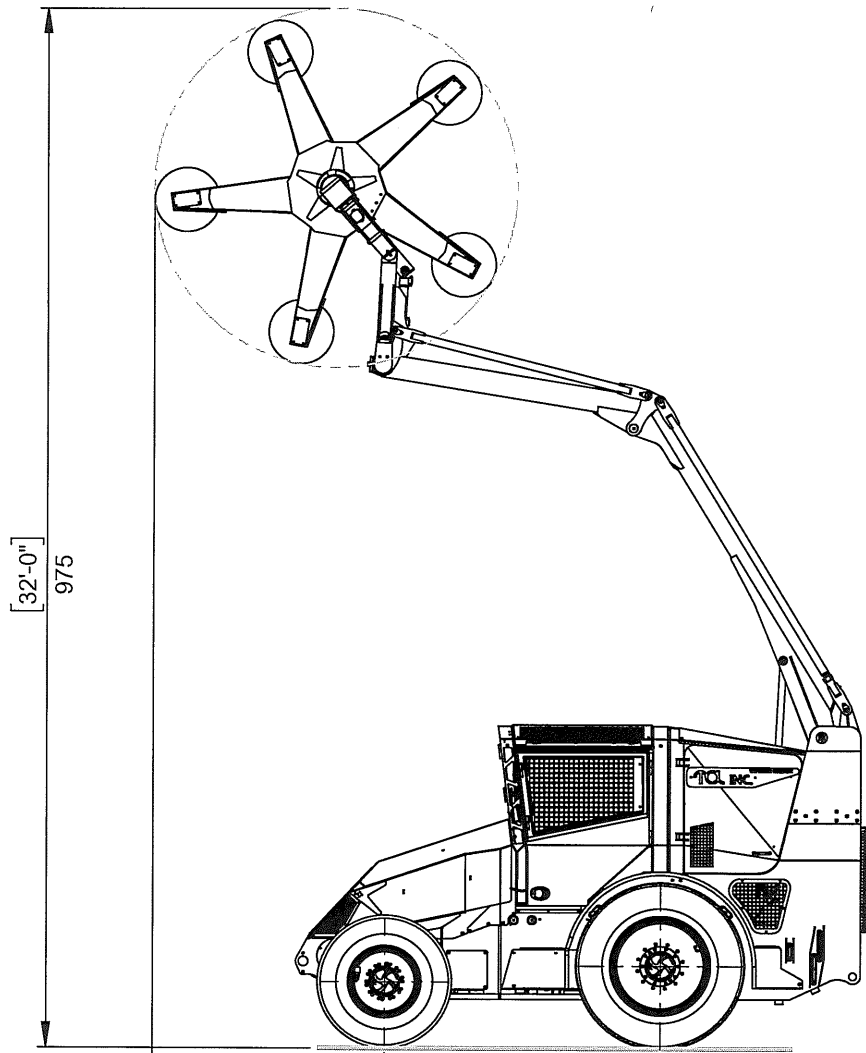
All proprietary rights reserved by TOL Incorporated. This drawing shall not be reproduced or in any way utilized, for the manufacture of the component or unit here in illustrated and must not be replaced to other parties without written consent by TOL Incorporated. Any infringement will be legally pursued.

Machine model:	TH 1100 CT -T4	
Dimension drawing	Version:	11.2018.00
	Scale:	1:45
	Date:	Nov. 2018
	Sheet:	1 of 6
	All dimensions are rounded	
Remarks:	All dimensions are in dual properties: feet-inches & centimeters	
		



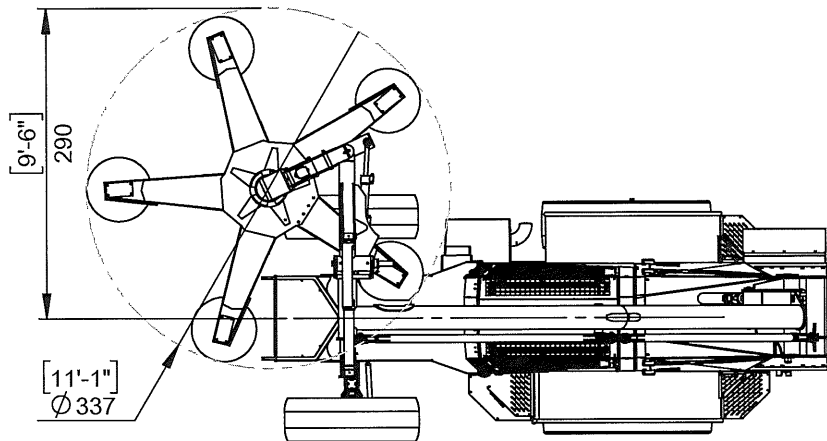
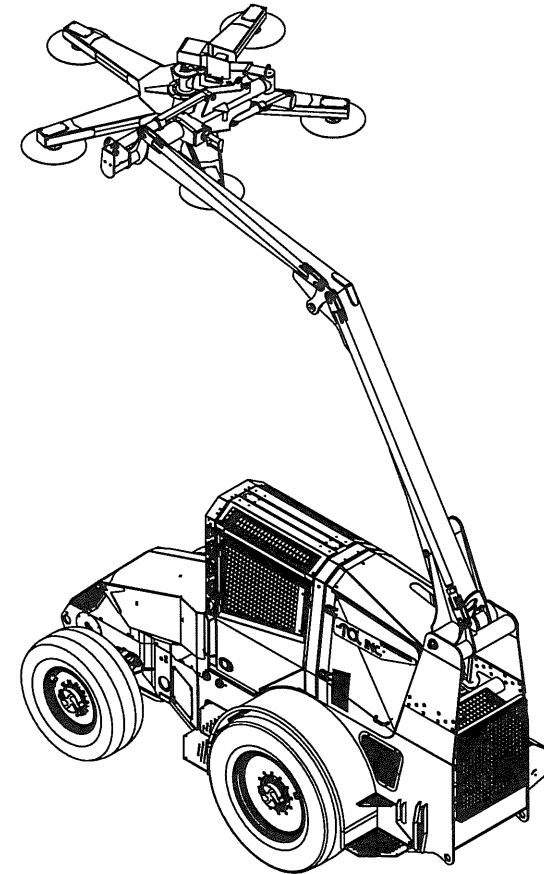
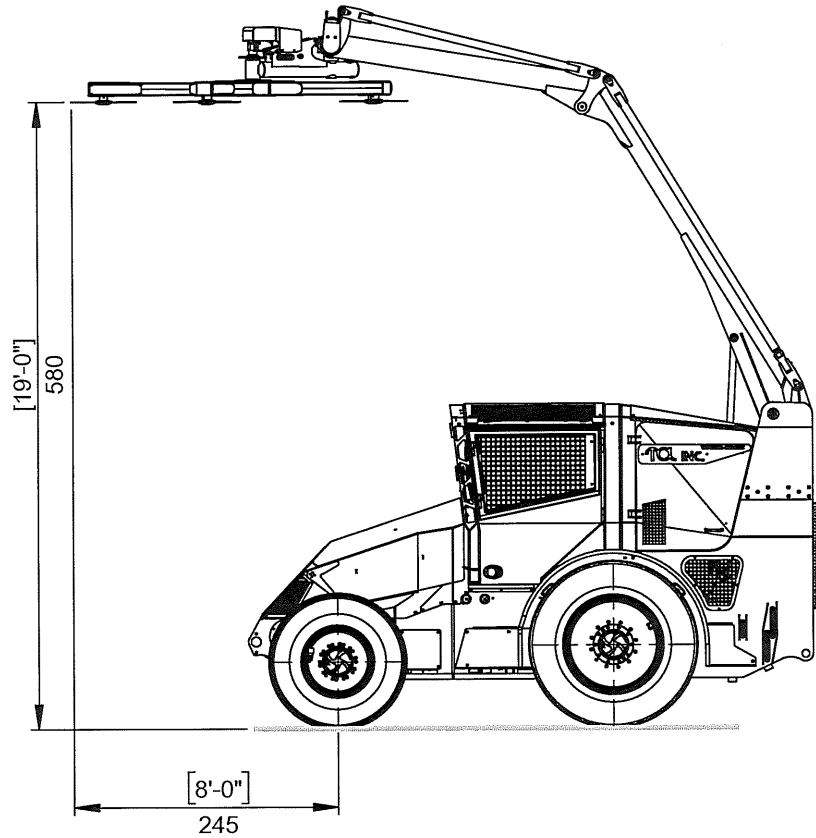
All proprietary rights reserved by TOL Incorporated. This drawing shall not be reproduced or in any way utilized, for the manufacture of the component or unit here in illustrated and must not be replaced to other parties without written consent by TOL Incorporated. Any infringement will be legally pursued.

Machine model:	TH 1100 CT -T4	
Dimension drawing	Version:	11.2018.00
As our policy is one of continuous improvement we reserve the right to change specification without notice and without incurring obligation.	Scale:	1:45
	Date:	Nov. 2018
	Sheet:	2 of 6
Machine dimension may vary according to special option, tractor size (kit models), or special feature.	All dimensions are rounded	
Remarks: All dimensions are in dual properties: feet-inches & centimeters		




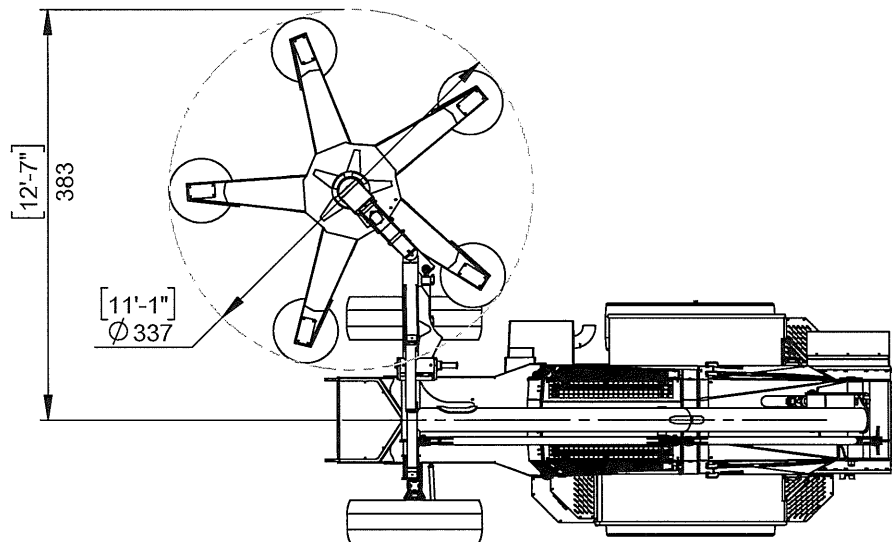
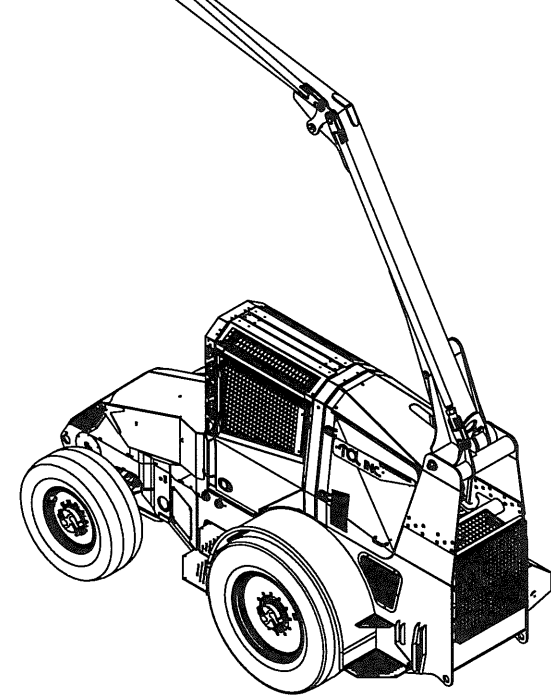
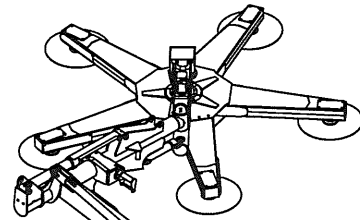
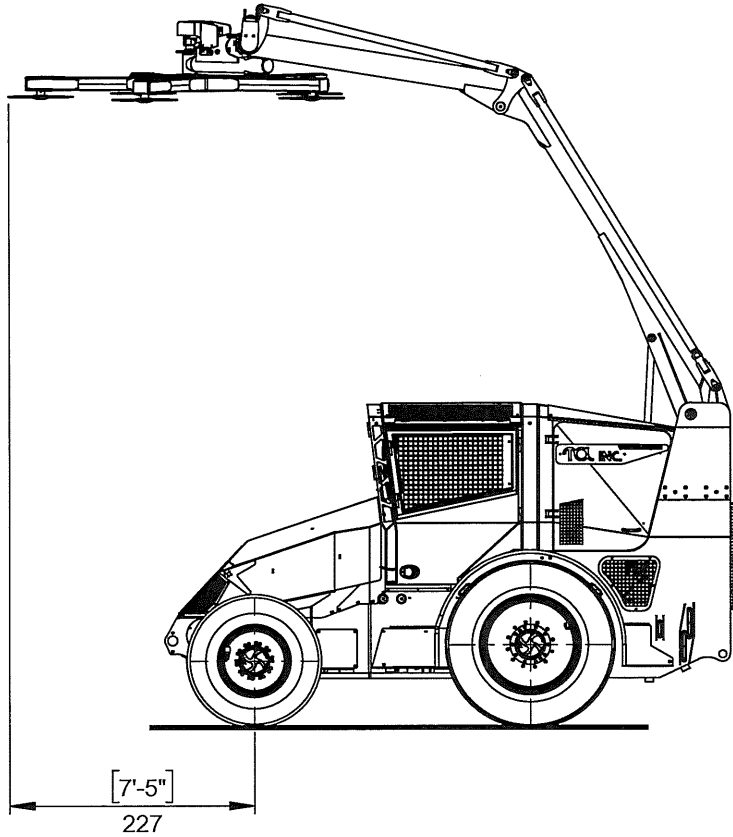
All proprietary rights reserved by TOL Incorporated. This drawing shall not be reproduced or in any way utilized, for the manufacture of the component or unit here in illustrated and must not be replaced to other parties without written consent by TOL Incorporated. Any infringement will be legally pursued.

Machine model:	TH 1100 CT -T4	
Dimension drawing	Version:	11.2018.00
As our policy is one of continuous improvement we reserve the right to change specification without notice and without incurring obligation.	Scale:	1:70
	Date:	Nov. 2018
	Machine dimension may vary according to special option, tractor size (kit models), or special feature.	Sheet:
Remarks: All dimensions are in dual properties: feet-inches & centimeters	All dimensions are rounded	



All proprietary rights reserved by TOL Incorporated. This drawing shall not be reproduced or in any way utilized, for the manufacture of the component or unit here in illustrated and must not be replaced to other parties without written consent by TOL Incorporated. Any infringement will be legally pursued.

Machine model:	TH 1100 CT -T4		
Dimension drawing	Version:	11.2018.00	
As our policy is one of continuous improvement we reserve the right to change specification without notice and without incurring obligation.	Scale:	1:70	
	Date:	Nov. 2018	
	Sheet:	4 of 6	
Remarks: All dimensions are in dual properties: feet-inches & centimeters	All dimensions are rounded		
			



Machine model: **TH 1100 CT -T4**

Dimension drawing Version: 11.2018.00

Scale: 1:70

Date: Nov. 2018

Sheet: 5 of 6

All dimensions are rounded

All proprietary rights reserved by TOL Incorporated. This drawing shall not be reproduced or in any way utilized, for the manufacture of the component or unit here in illustrated and must not be replaced to other parties without written consent by TOL Incorporated. Any infringement will be legally pursued.

As our policy is one of continuous improvement we reserve the right to change specification without notice and without incurring obligation.

Machine dimension may vary according to special option, tractor size (kit models), or special feature.

Remarks:
All dimensions are in dual properties: feet-inches & centimeters



