


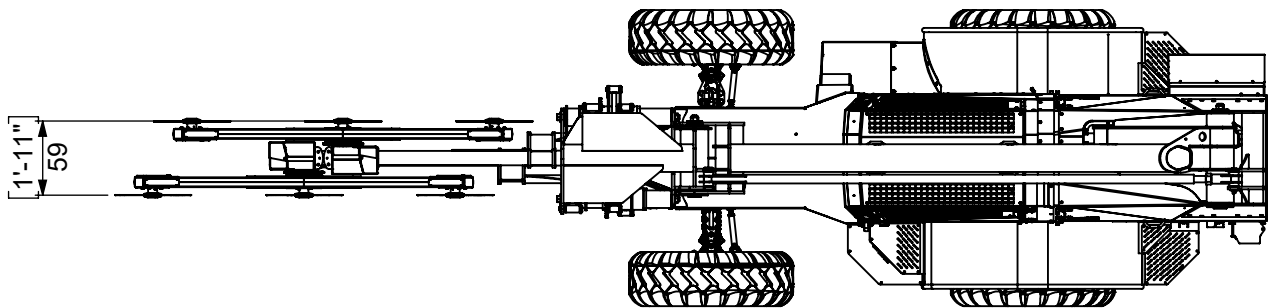
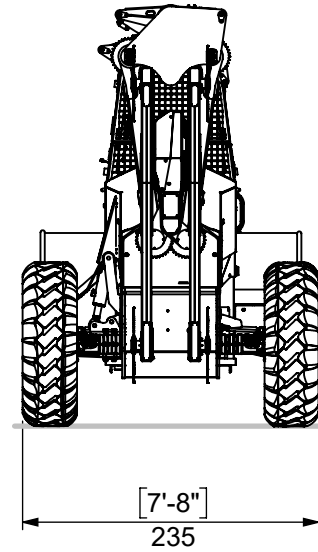
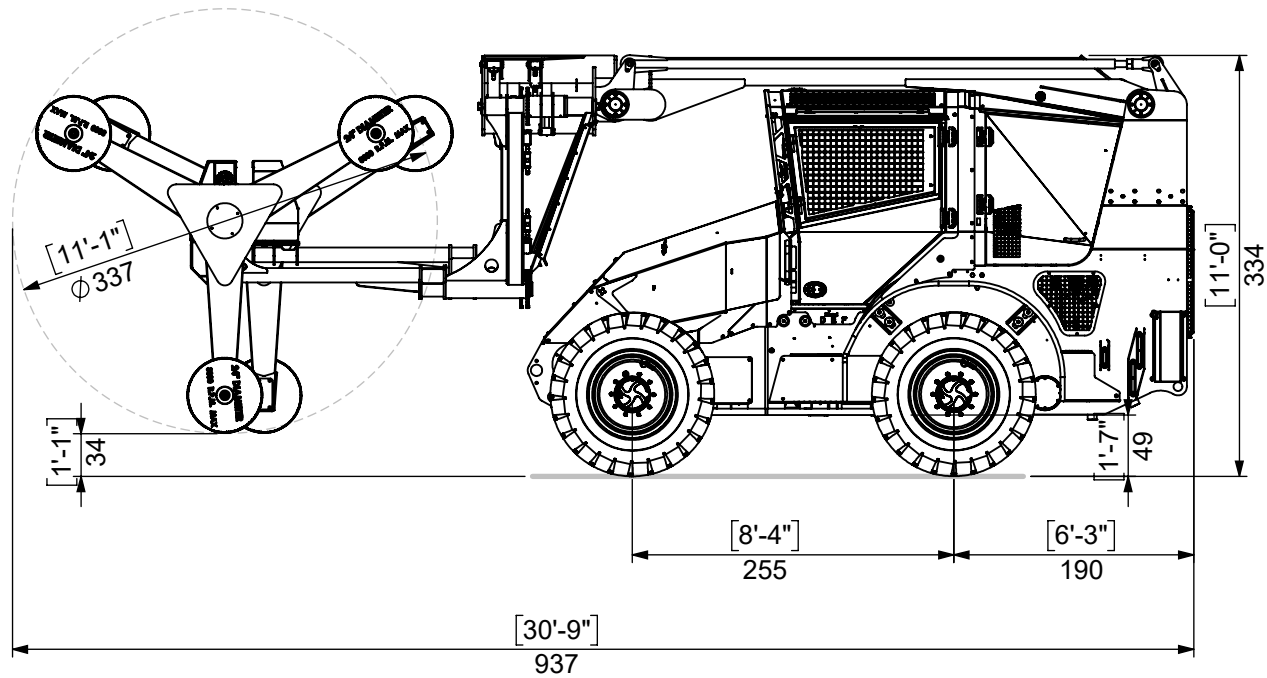
Machine model:	<b>HDR 1100-LXT-T4</b>	
Dimension drawing	Version:	04.2021.01
	Scale:	1:40
	Date:	April 2021
	Sheet:	1 of 8
	All dimensions are rounded	
		

All proprietary rights reserved by TOL Incorporated. This drawing shall not be reproduced or in any way utilized, for the manufacture of the component or unit here in illustrated and must not be replaced to other parties without written consent by TOL Incorporated. Any infringement will be legally pursued.


As our policy is one of continuous improvement we reserve the right to change specification without notice and without incurring obligation.

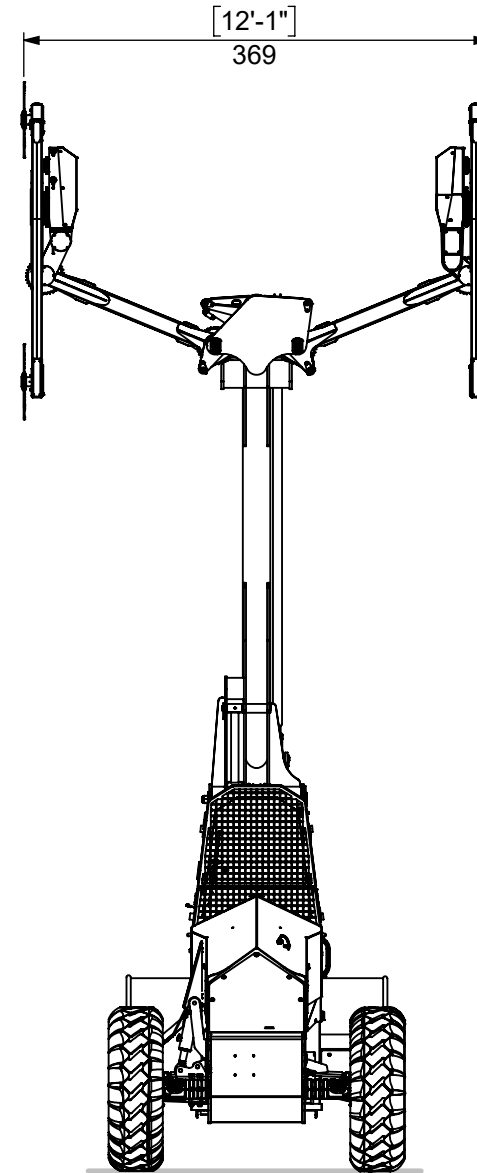
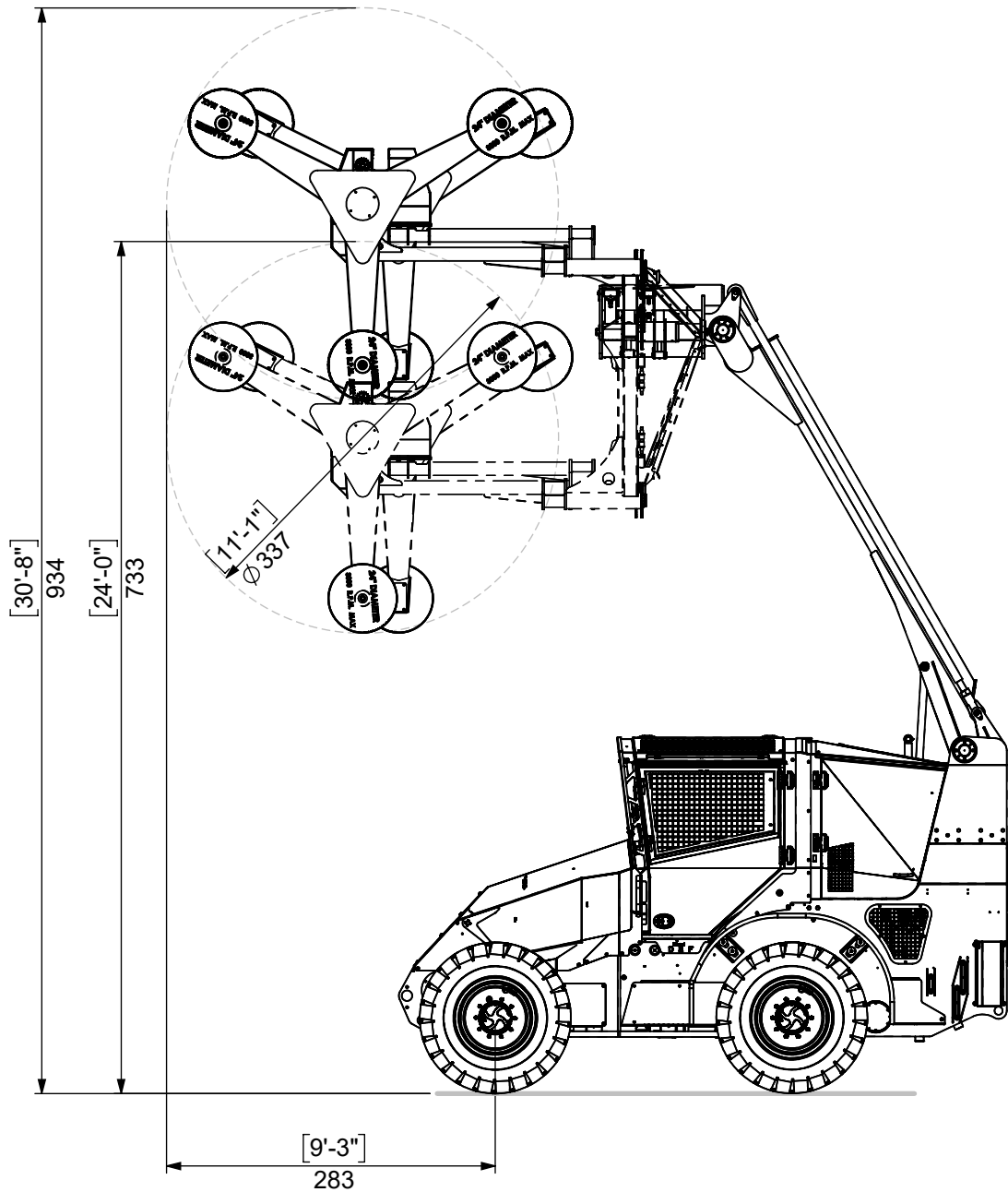
Machine dimension may vary according to special option, tractor size (kit models), or special feature.

Remarks:  
All dimensions are in dual properties: feet-inches & centimeters



All proprietary rights reserved by TOL Incorporated. This drawing shall not be reproduced or in any way utilized, for the manufacture of the component or unit here in illustrated and must not be replaced to other parties without written consent by TOL Incorporated. Any infringement will be legally pursued.

Machine model:	<b>HDR 1100-LXT-T4</b>	
Dimension drawing	Version:	04.2021.01
	Scale:	1:60
	Date:	April 2021
	Sheet:	2 of 8
	All dimensions are rounded	
Remarks: All dimensions are in dual properties: feet-inches & centimeters		



Machine model: **HDR 1100-LXT-T4**

Dimension drawing Version: 04.2021.01

Scale: 1:60

Date: April 2021

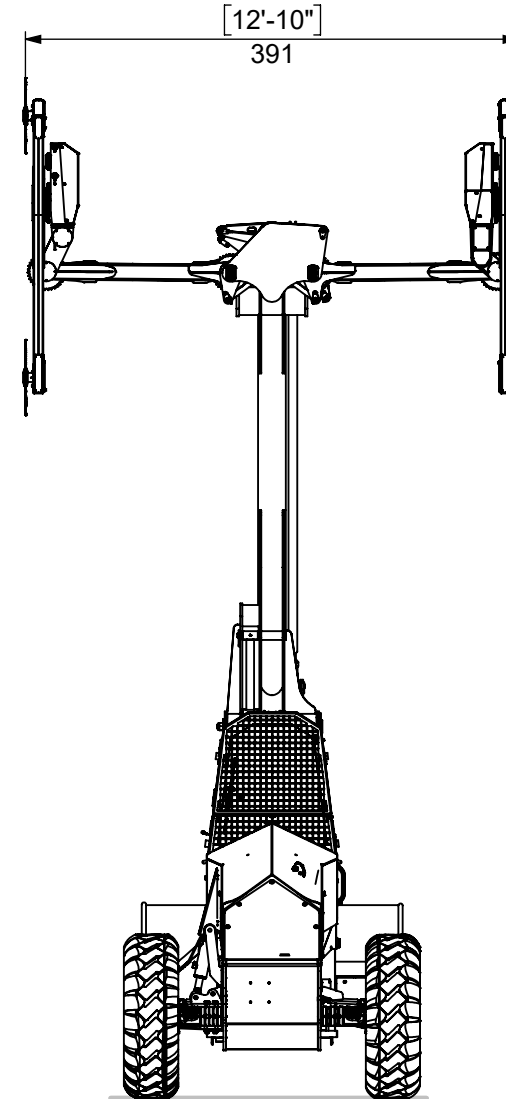
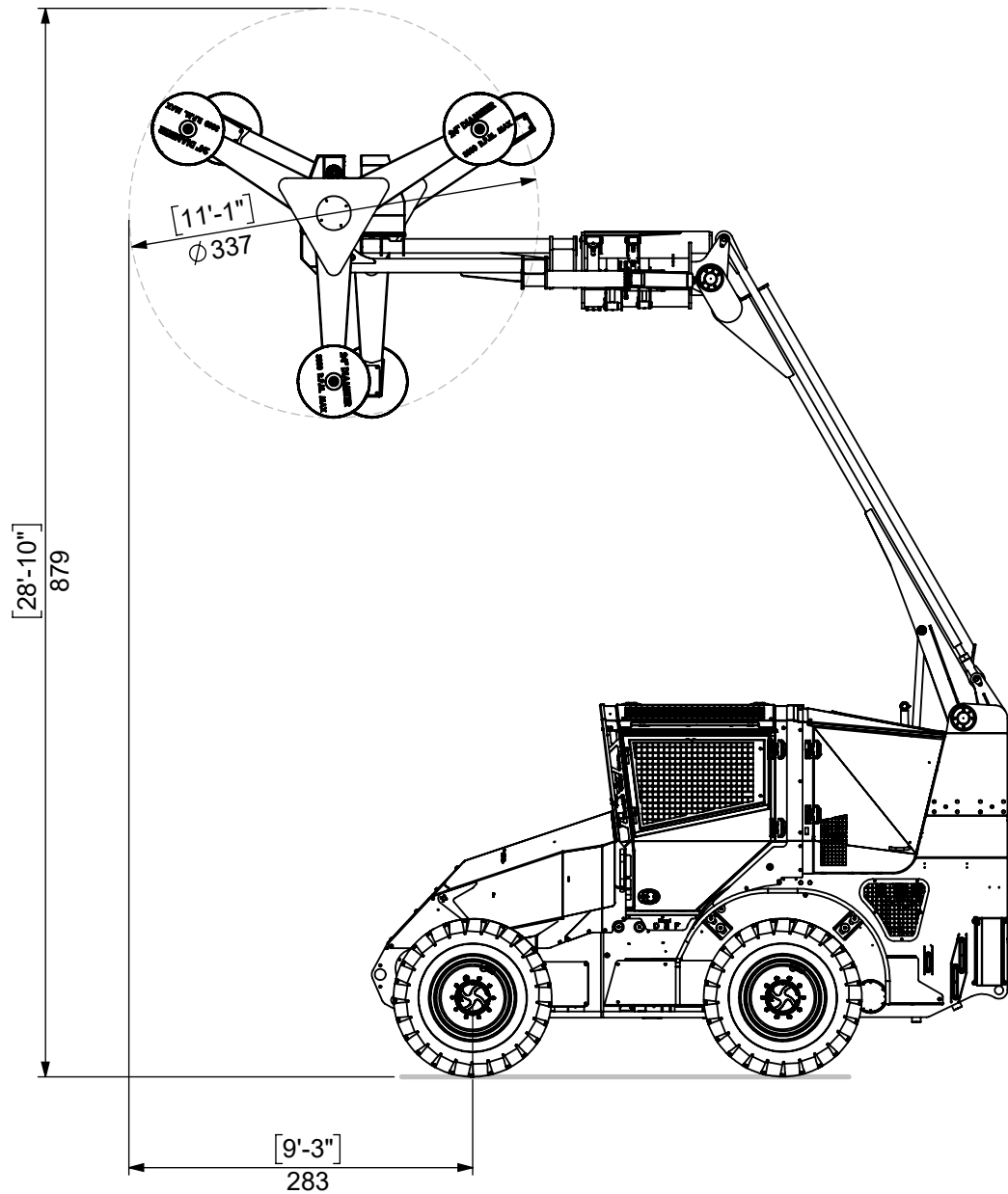
Sheet: 3 of 8

All dimensions are rounded


Remarks: All dimensions are in dual properties: feet-inches & centimeters

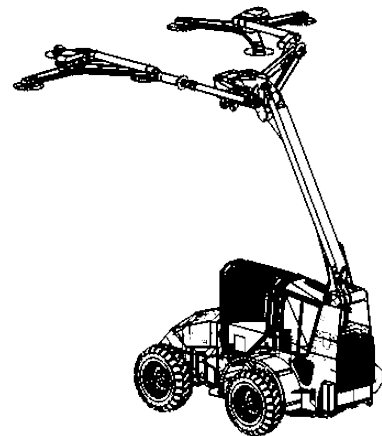
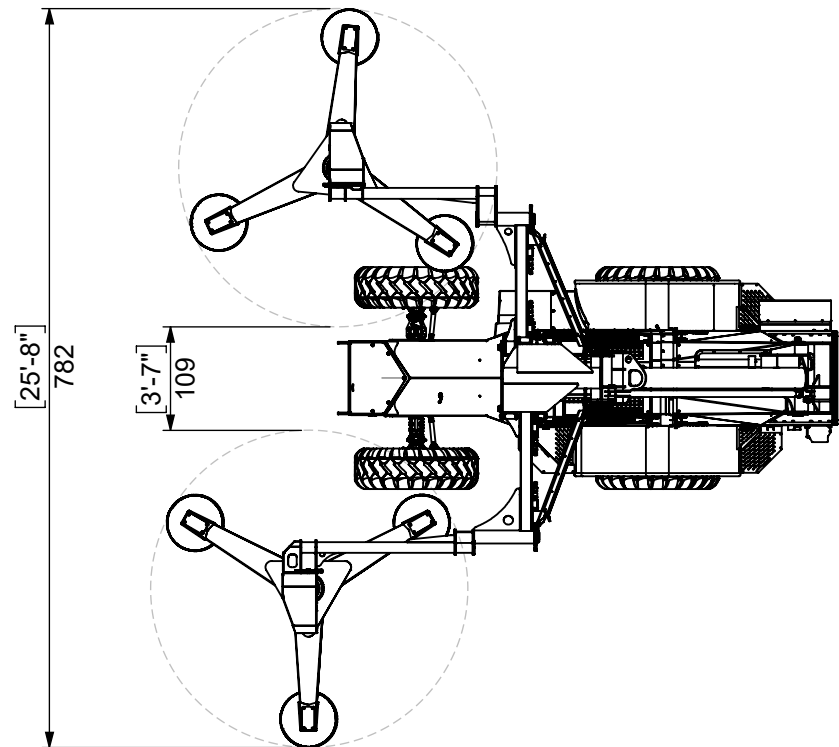
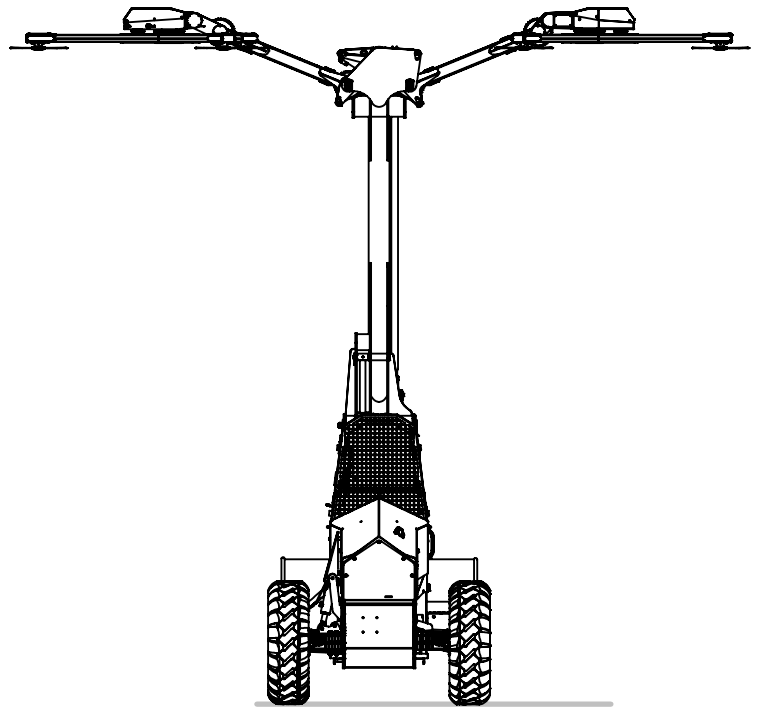
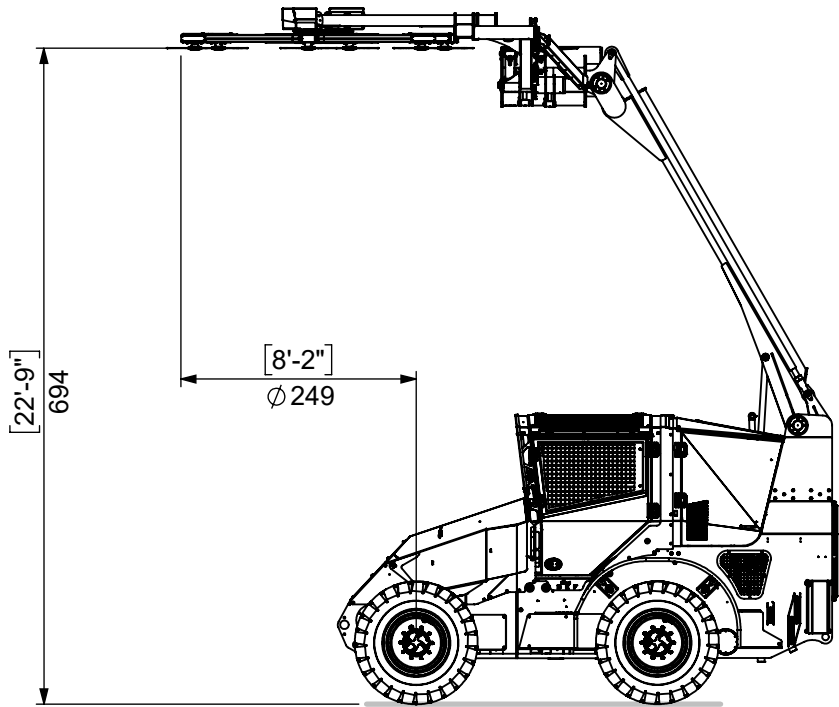
All proprietary rights reserved by TOL Incorporated. This drawing shall not be reproduced or in any way utilized, for the manufacture of the component or unit here in illustrated and must not be replaced to other parties without written consent by TOL Incorporated. Any infringement will be legally pursued.






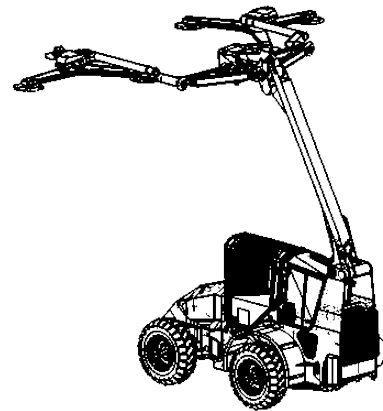
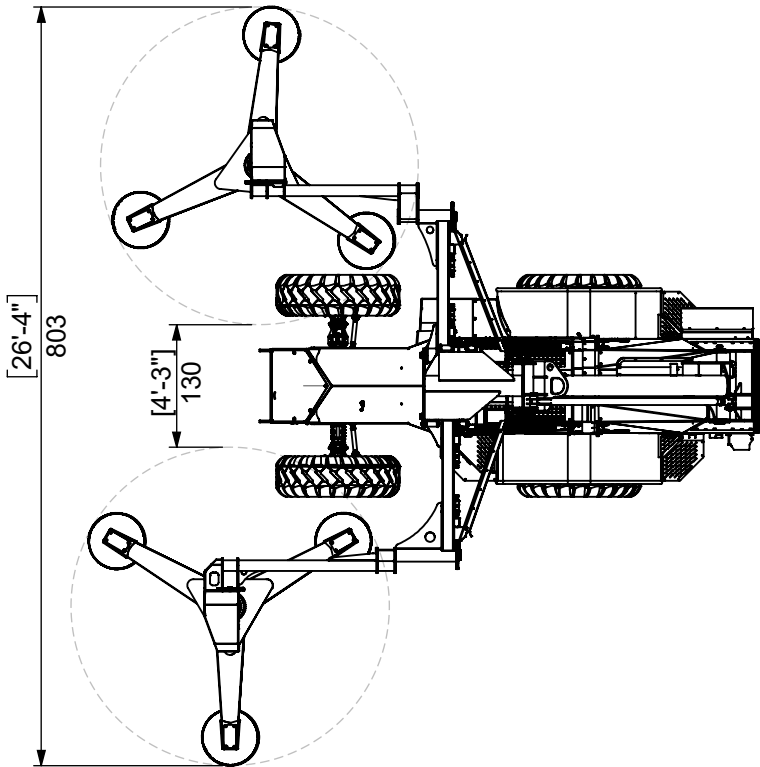
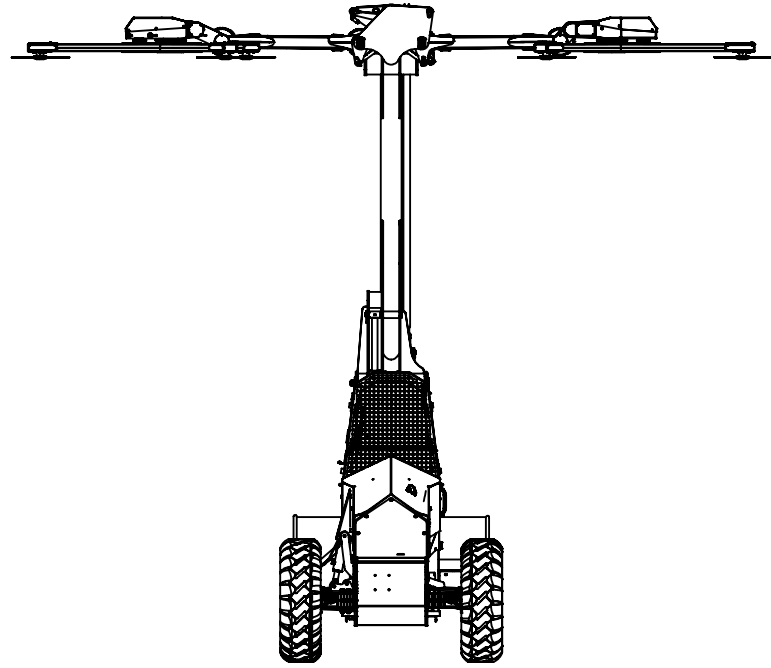
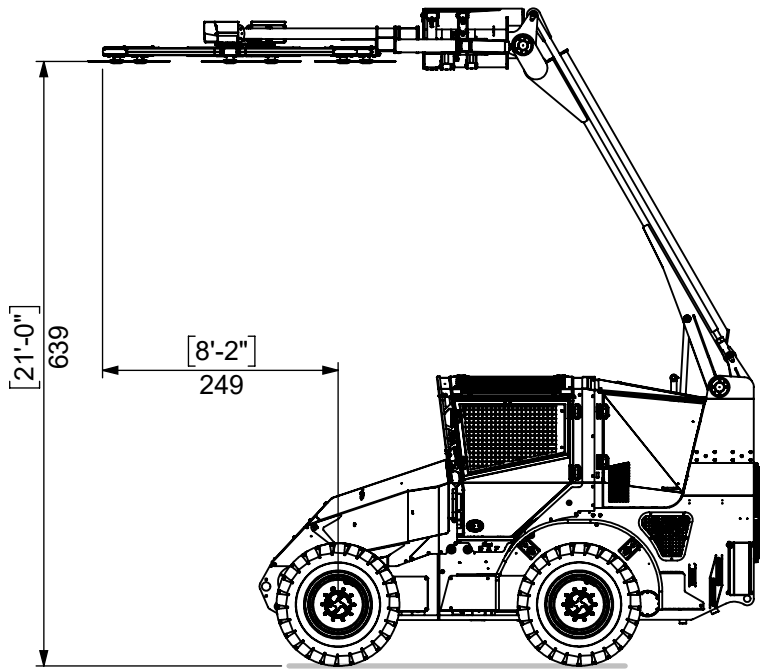
All proprietary rights reserved by TOL Incorporated. This drawing shall not be reproduced or in any way utilized, for the manufacture of the component or unit here in illustrated and must not be replaced to other parties without written consent by TOL Incorporated. Any infringement will be legally pursued.

Machine model:	<b>HDR 1100-LXT-T4</b>	
Dimension drawing	Version:	04.2021.01
	Scale:	1:60
	Date:	April 2021
	Sheet:	4 of 8
	All dimensions are rounded	
Remarks:	All dimensions are in dual properties: feet-inches & centimeters	
		




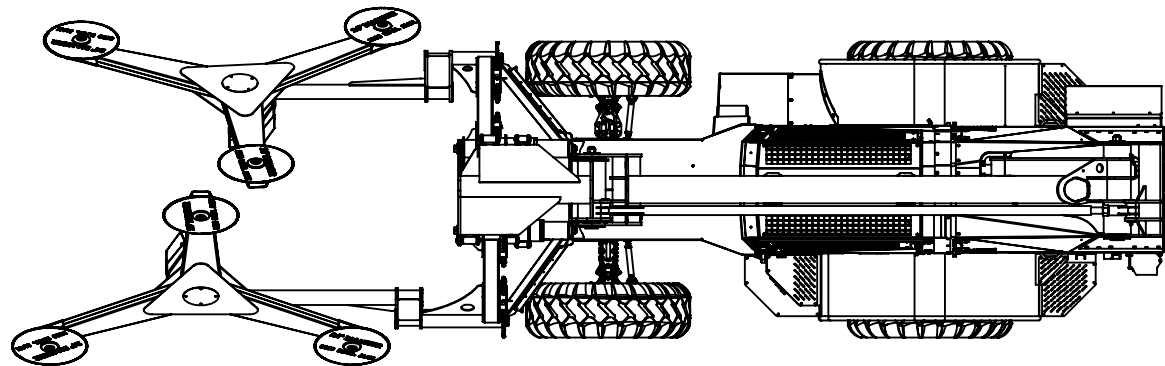
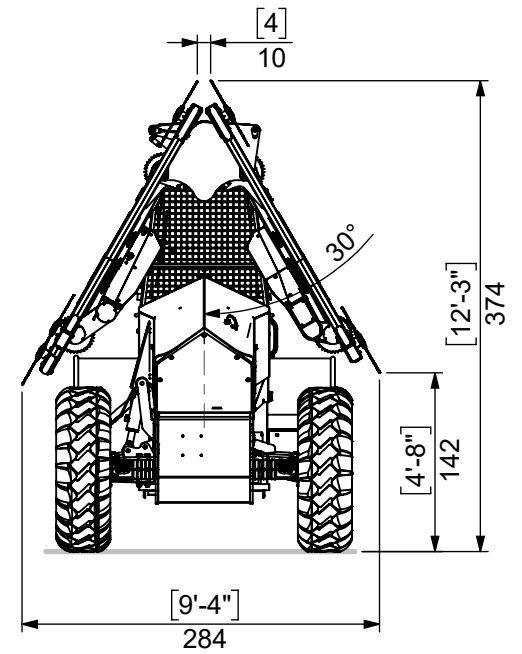
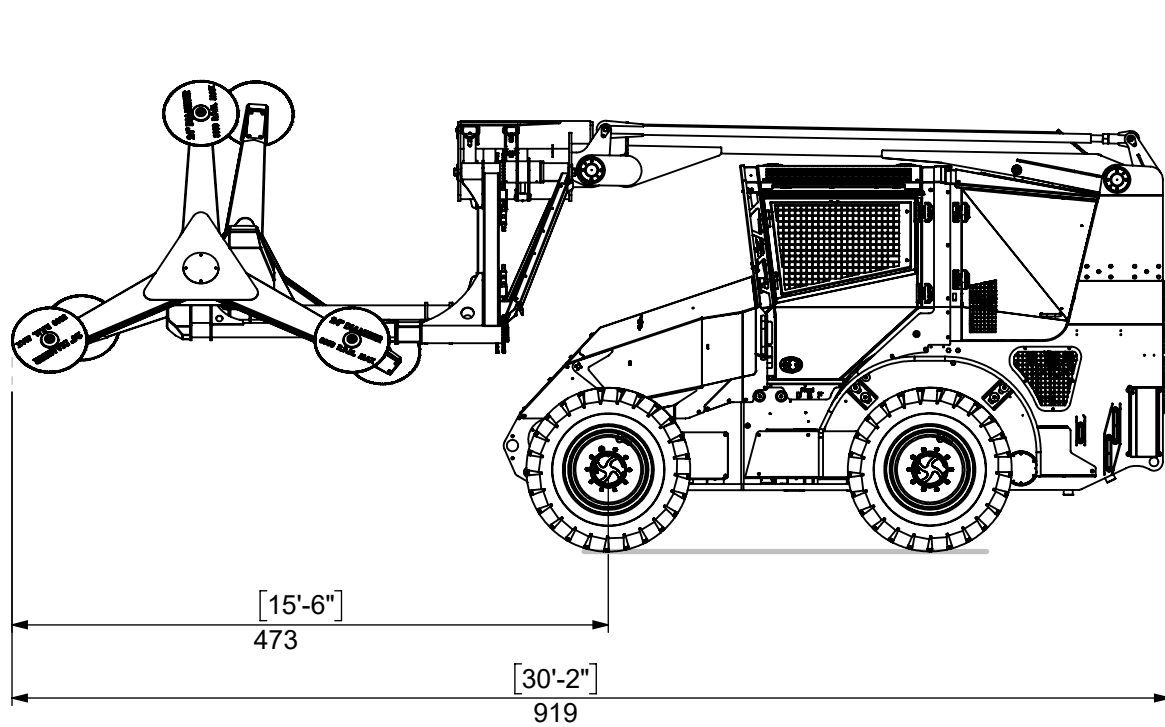
All proprietary rights reserved by TOL Incorporated. This drawing shall not be reproduced or in any way utilized, for the manufacture of the component or unit here in illustrated and must not be replaced to other parties without written consent by TOL Incorporated. Any infringement will be legally pursued.

Machine model:	<b>HDR 1100-LXT-T4</b>	
Dimension drawing	Version:	04.2021.01
	Scale:	1:80
	Date:	April 2021
Machine dimension may vary according to special option, tractor size (kit models), or special feature.	Sheet:	5 of 8
Remarks: All dimensions are in dual properties: feet-inches & centimeters	All dimensions are rounded	
		




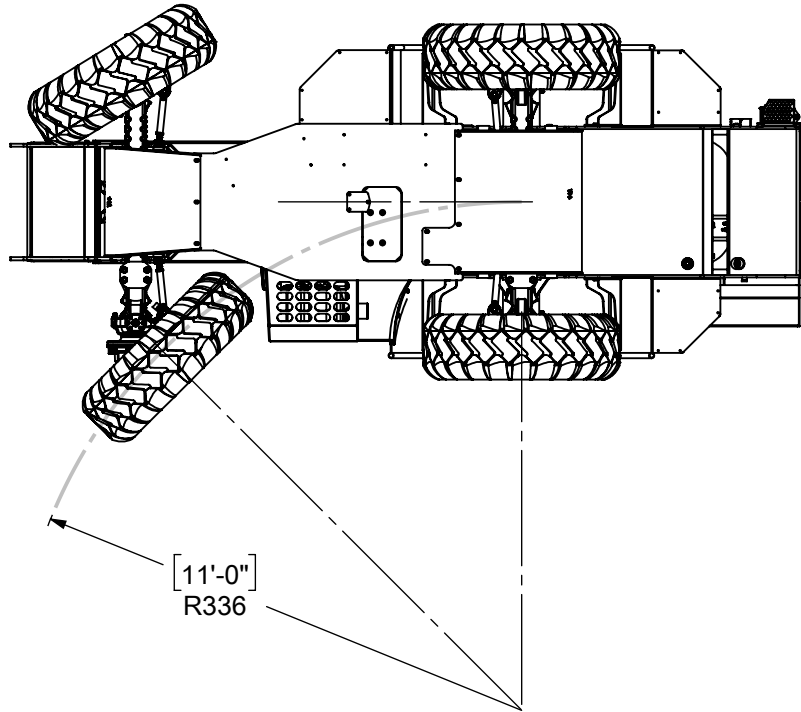
All proprietary rights reserved by TOL Incorporated. This drawing shall not be reproduced or in any way utilized, for the manufacture of the component or unit here in illustrated and must not be replaced to other parties without written consent by TOL Incorporated. Any infringement will be legally pursued.

Machine model:	<b>HDR 1100-LXT-T4</b>	
Dimension drawing	Version:	04.2021.01
	Scale:	1:80
	Date:	April 2021
	Sheet:	6 of 8
	All dimensions are rounded	
Remarks: All dimensions are in dual properties: feet-inches & centimeters		

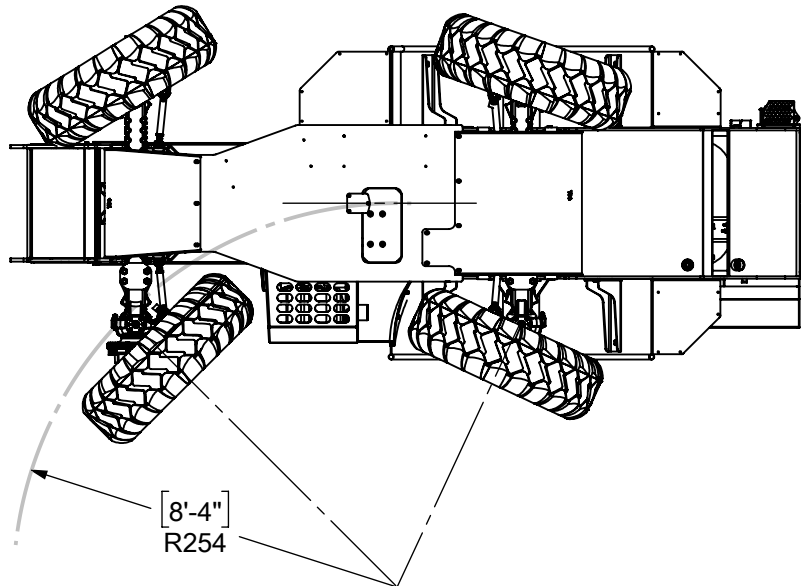


All proprietary rights reserved by TOL Incorporated. This drawing shall not be reproduced or in any way utilized, for the manufacture of the component or unit here in illustrated and must not be replaced to other parties without written consent by TOL Incorporated. Any infringement will be legally pursued.

Machine model:	<b>HDR 1100-LXT-T4</b>	
Dimension drawing	Version:	04.2021.01
	Scale:	1:60
	Date:	April 2021
	Sheet:	7 of 8
	All dimensions are rounded	
Remarks:	All dimensions are in dual properties: feet-inches & centimeters	
		



**2WS**



**4WS**

11'-0"  
R336

8'-4"  
R254

All proprietary rights reserved by TOL Incorporated. This drawing shall not be reproduced or in any way utilized, for the manufacture of the component or unit here in illustrated and must not be replaced to other parties without written consent by TOL Incorporated. Any infringement will be legally pursued.

Machine model:	<b>HDR 1100-LXT-T4</b>	
Dimension drawing	Version:	04.2021.01
	Scale:	1:50
	Date:	April 2021
Machine dimension may vary according to special option, tractor size (kit models), or special feature.	Sheet:	1 of 1
Remarks: All dimensions are in dual properties: feet-inches & centimeters	All dimensions are rounded	
	