
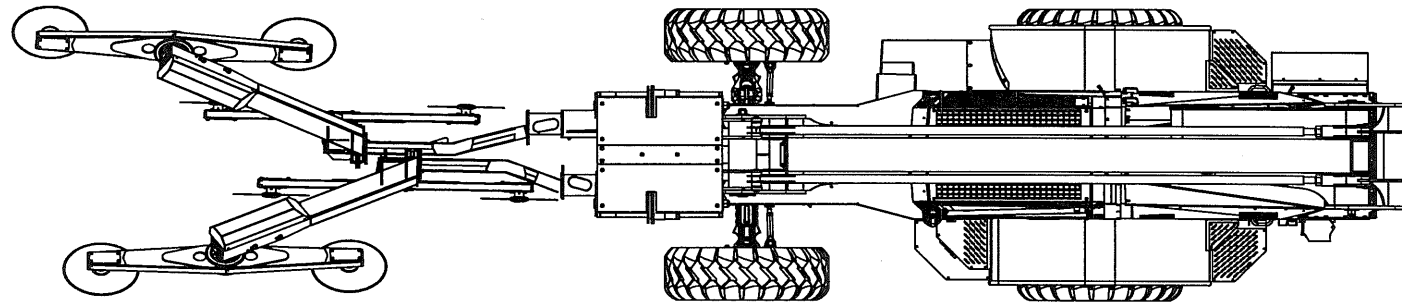
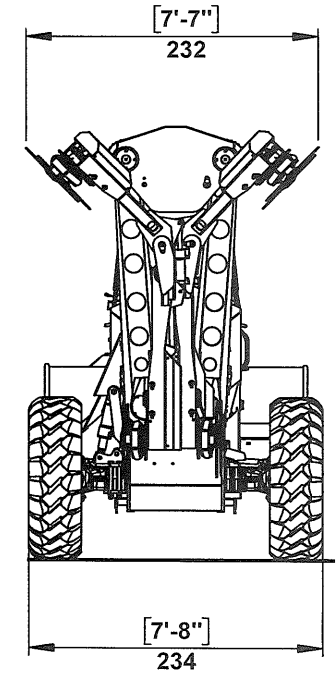
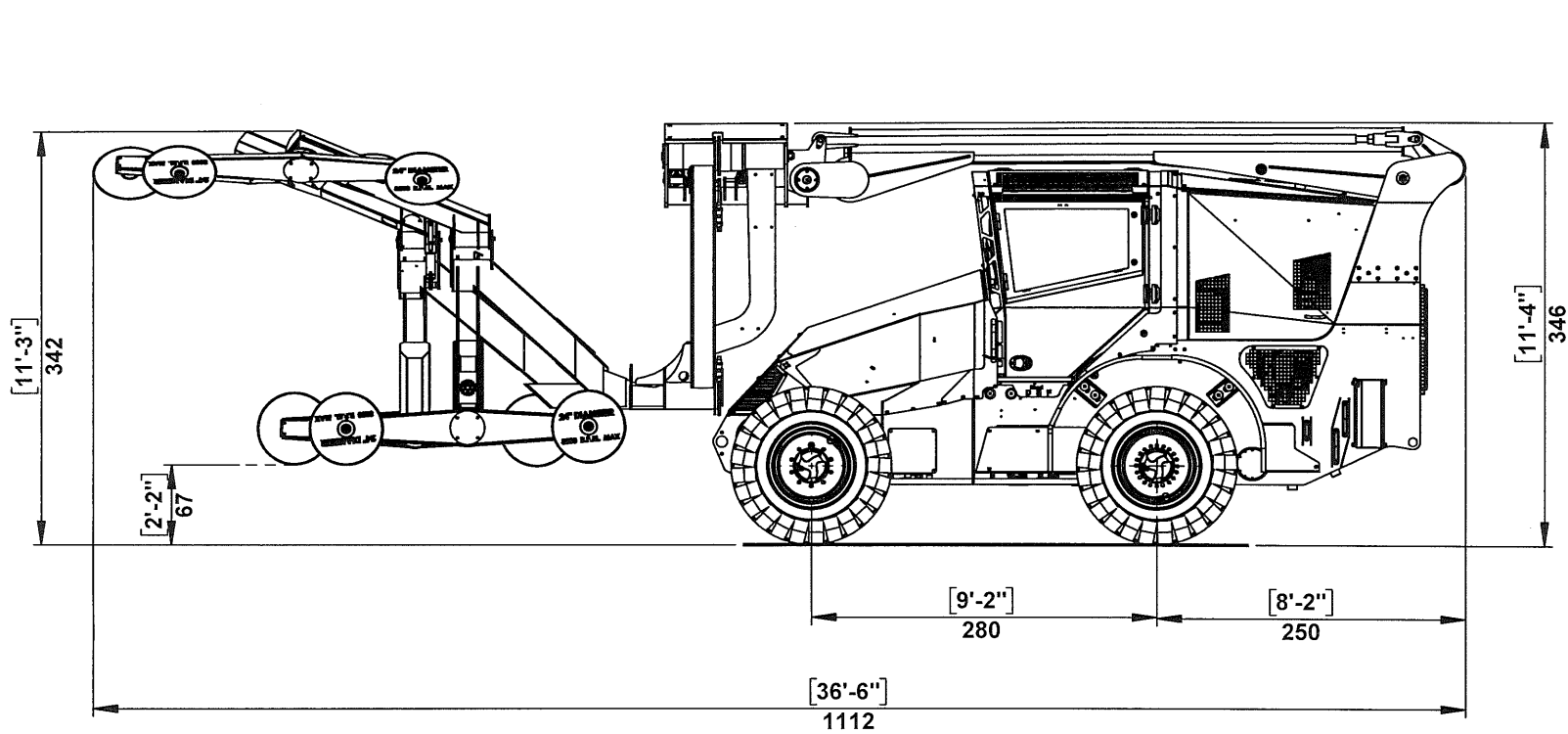


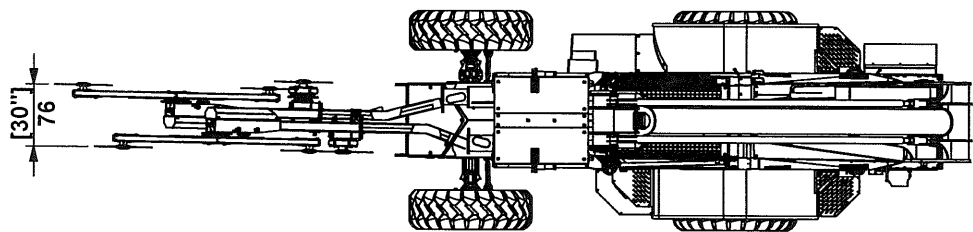
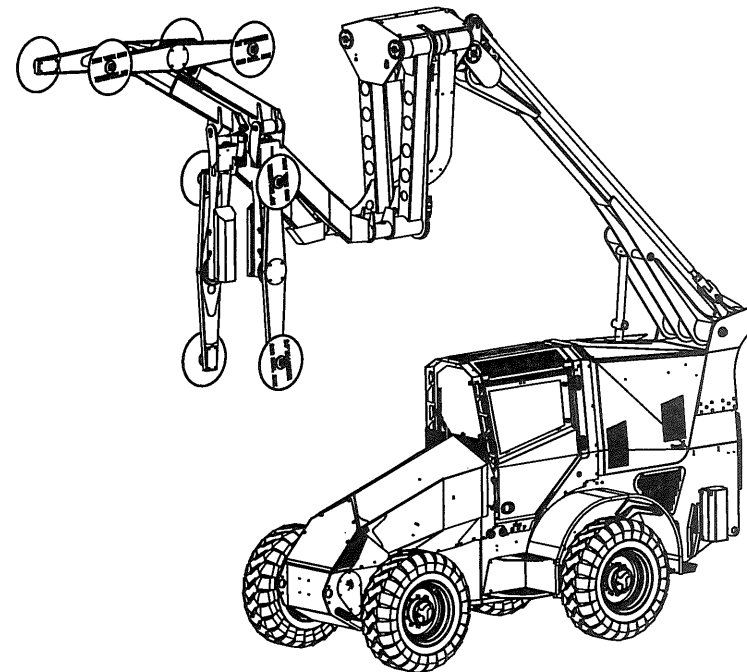
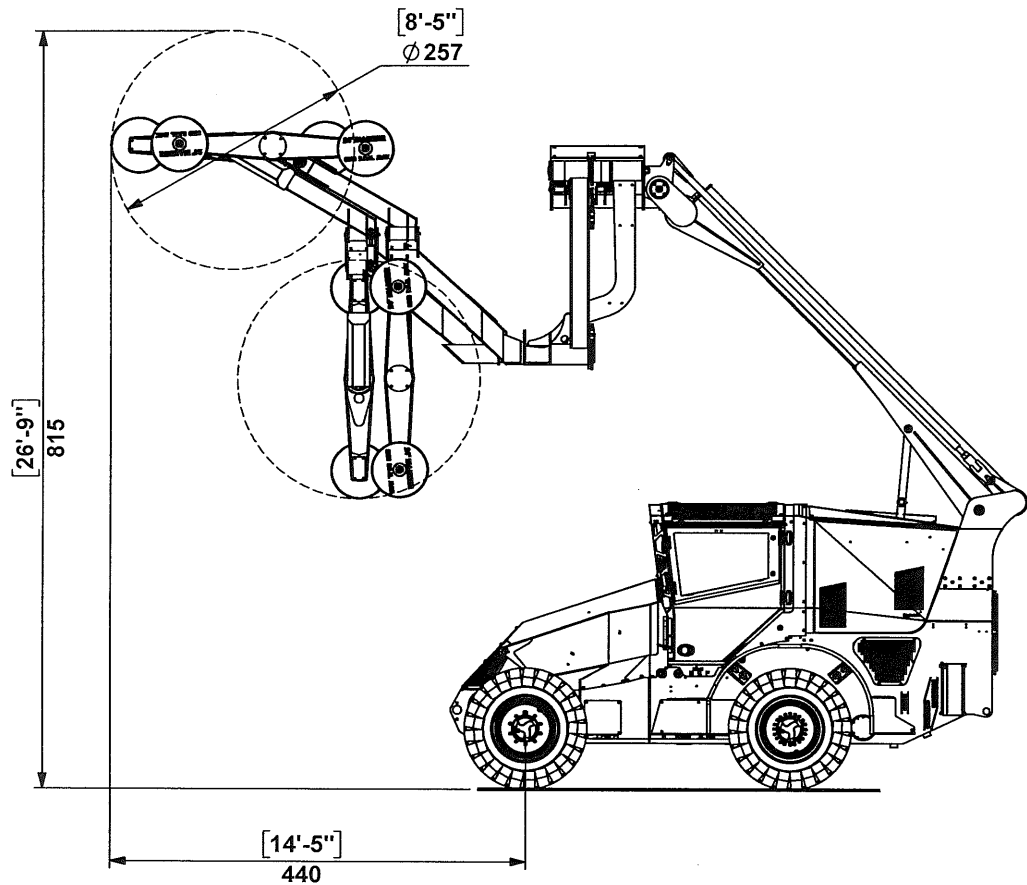
All proprietary rights reserved by TOL Incorporated. This drawing shall not be reproduced or in any way utilized, for the manufacture of the component or unit here in illustrated and must not be replaced to other parties without written consent by TOL Incorporated. Any infringement will be legally pursued.

Machine model:		HD1800AB-T4	
Dimension drawing		Version:	10.2020.02
As our policy is one of continuous improvement we reserve the right to change specification without notice and without incurring obligation.		Scale:	1:50
		Date:	Oct. 2020
Machine dimension may vary according to special option, tractor size (kit models), or special feature.		Sheet:	1 of 1
		All dimensions are rounded	
Remarks: All dimensions are in dual properties: feet-inches & centimeters			



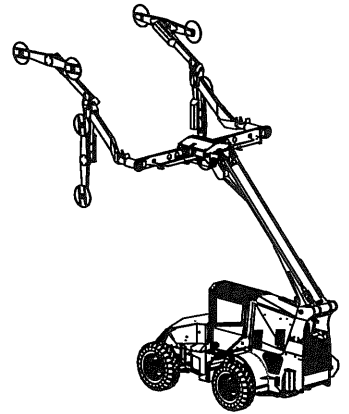
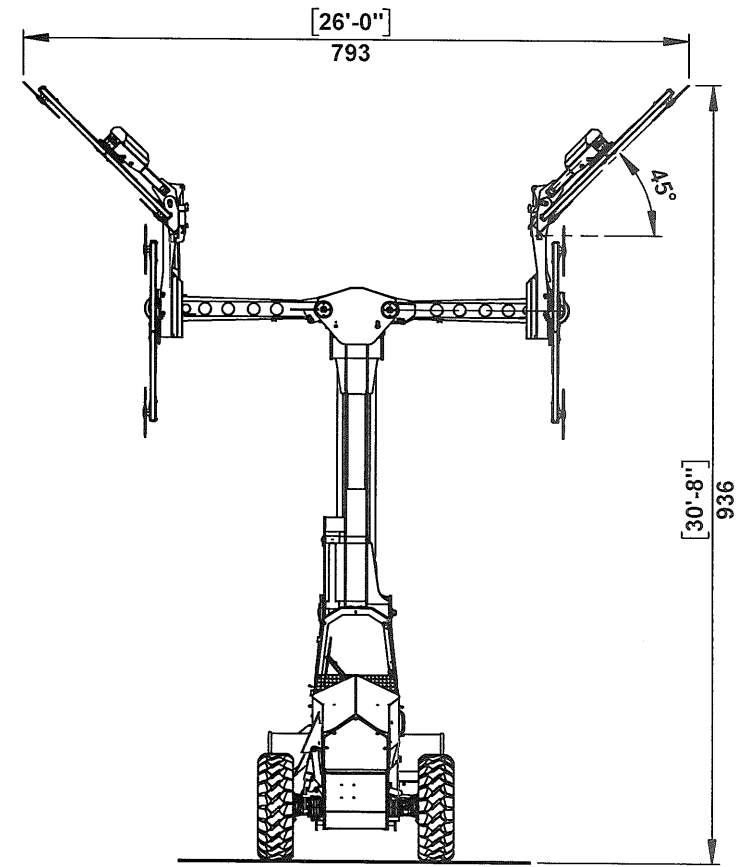
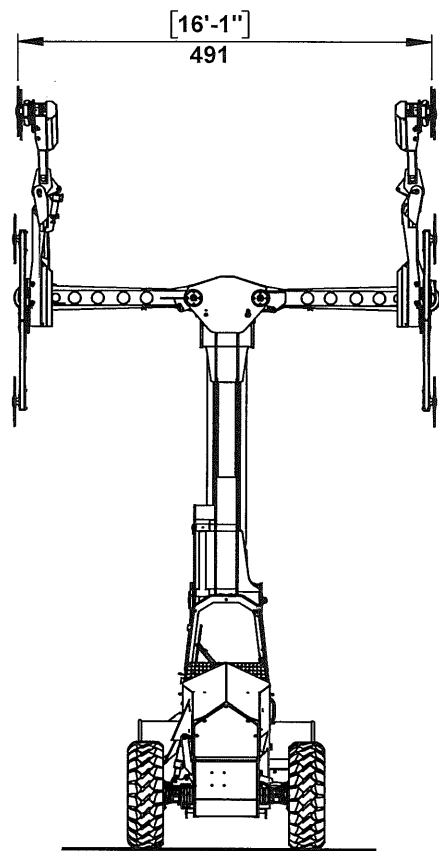
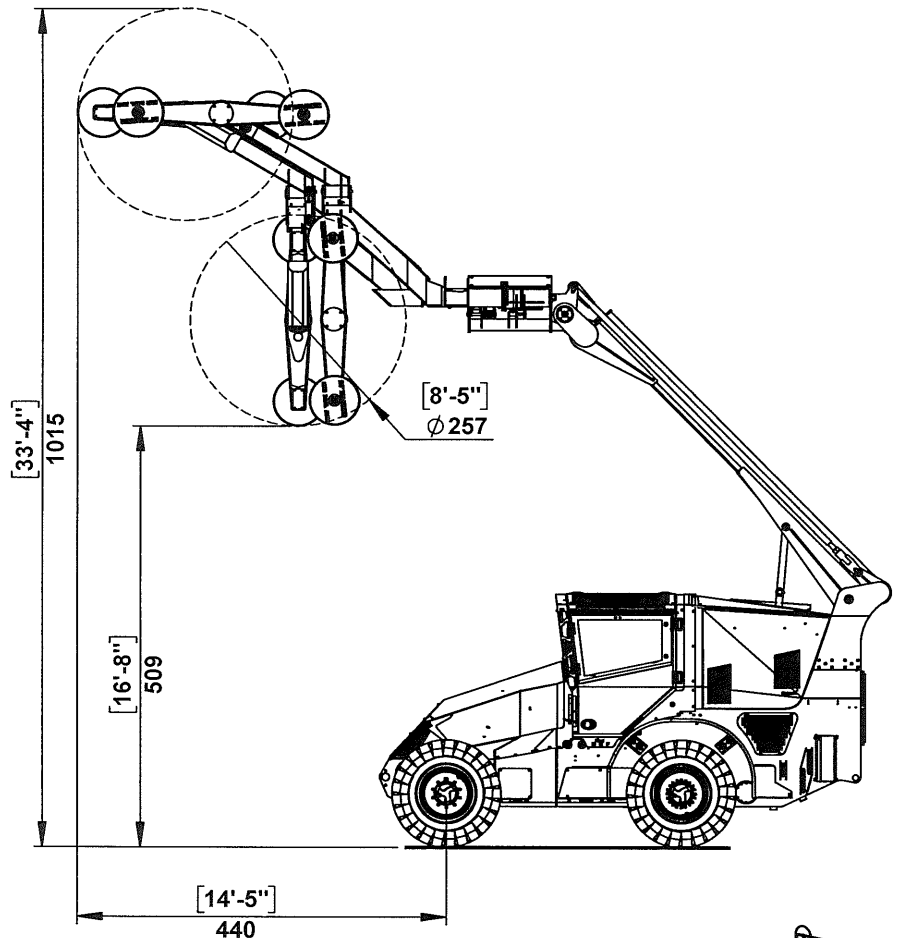
All proprietary rights reserved by TOL Incorporated. This drawing shall not be reproduced or in any way utilized, for the manufacture of the component or unit here in illustrated and must not be replaced to other parties without written consent by TOL Incorporated. Any infringement will be legally pursued.

Machine model:		HD1800AB-T4	
Dimension drawing		Version:	10.2020.02
		Scale:	1:60
		Date:	Oct. 2020
		Sheet:	1 of 1
		All dimensions are rounded	
Remarks: All dimensions are in dual properties: feet-inches & centimeters			



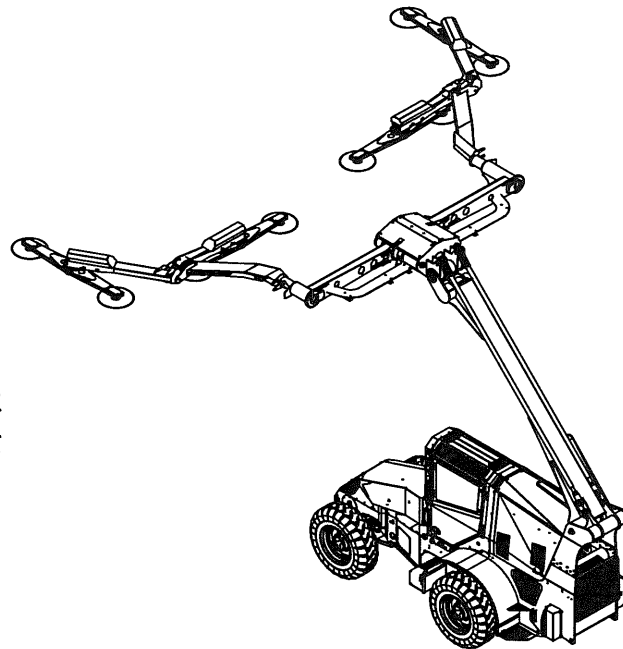
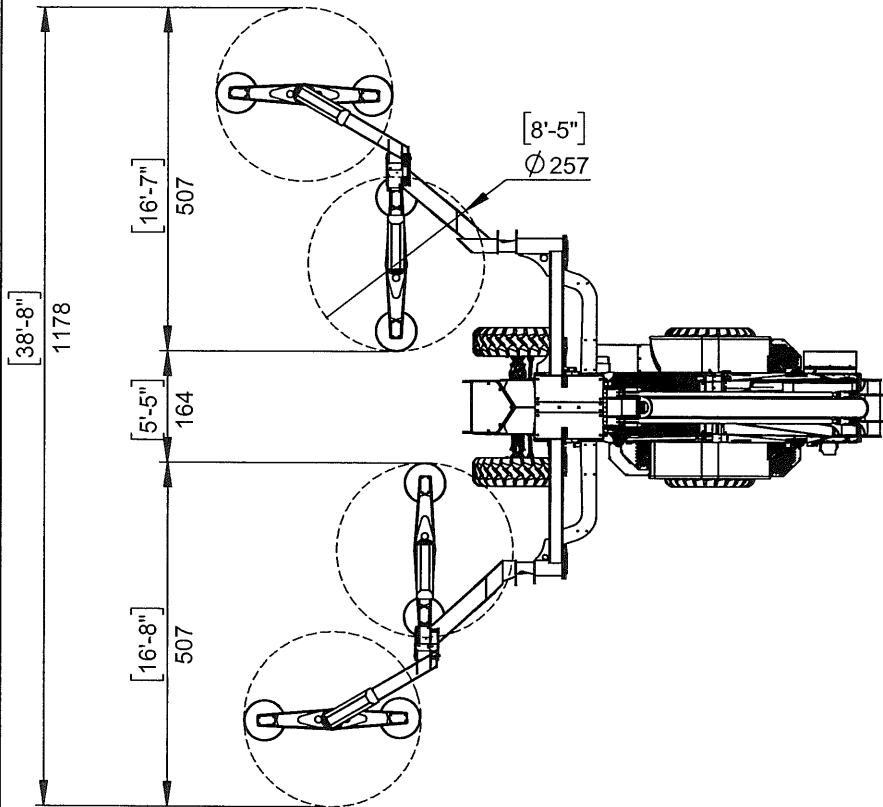
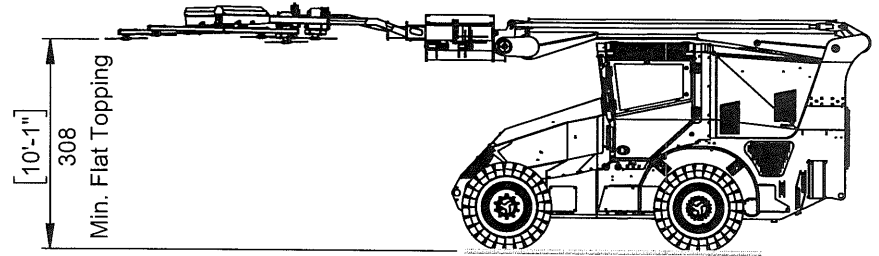
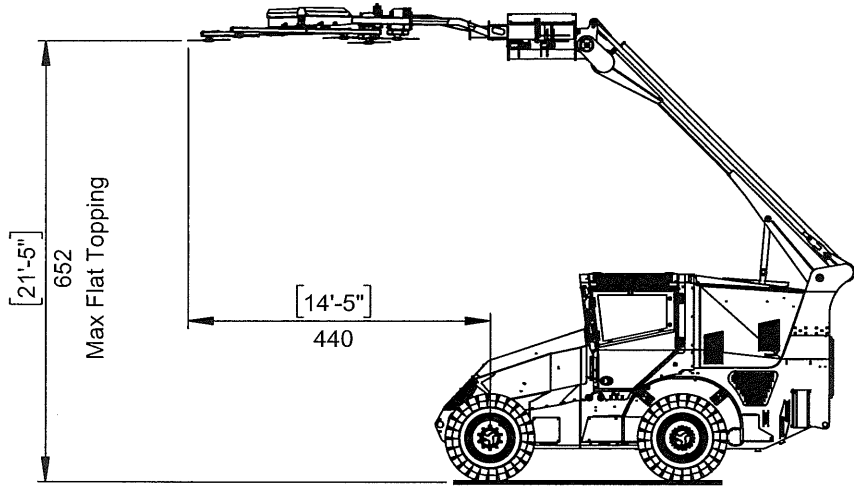
All proprietary rights reserved by TOL Incorporated. This drawing shall not be reproduced or in any way utilized, for the manufacture of the component or unit here in illustrated and must not be replaced to other parties without written consent by TOL Incorporated. Any infringement will be legally pursued.

Machine model:	HD1800AB-T4	
Dimension drawing	Version:	10.2020.02
	Scale:	1:80
	Date:	Oct.2020
	Sheet:	1 of 1
All dimensions are rounded		
Remarks: All dimensions are in dual properties: feet-inches & centimeters		



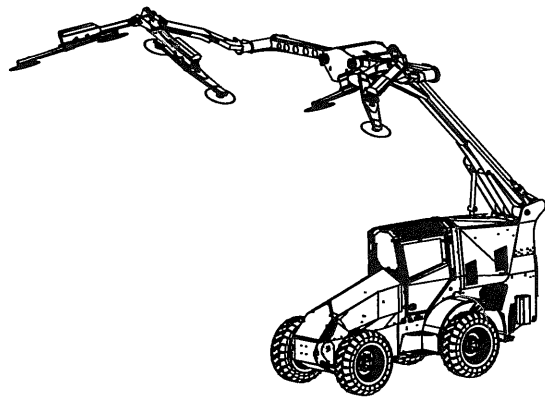
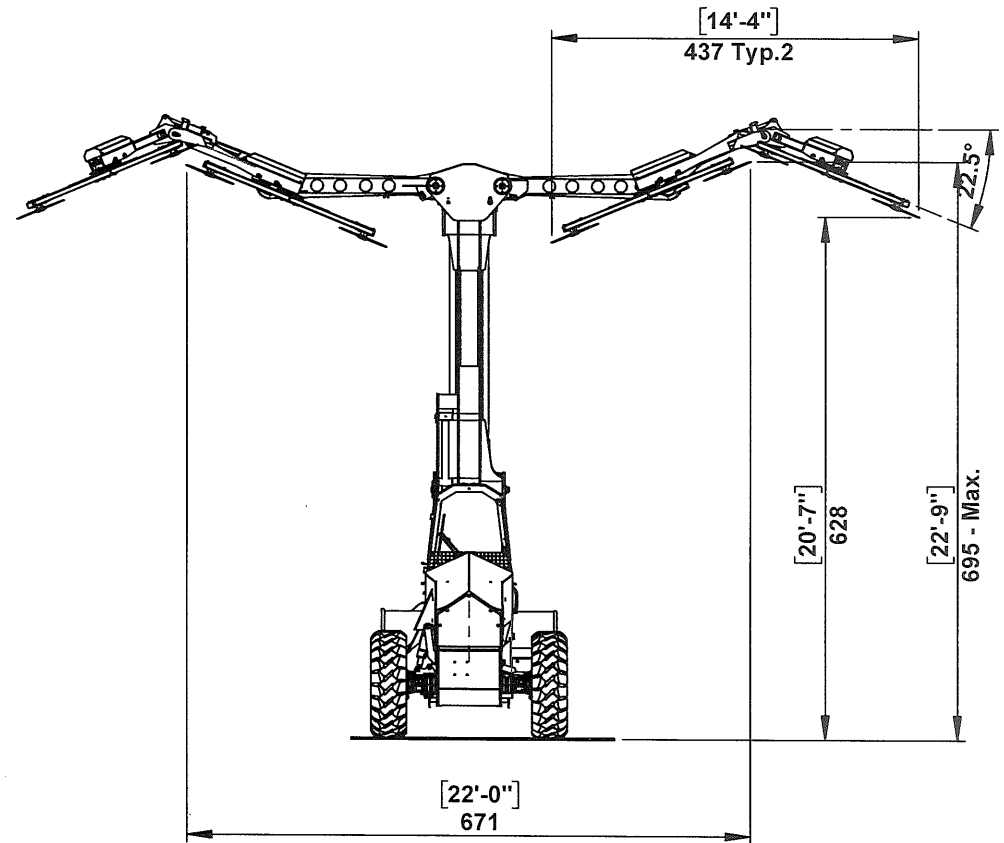
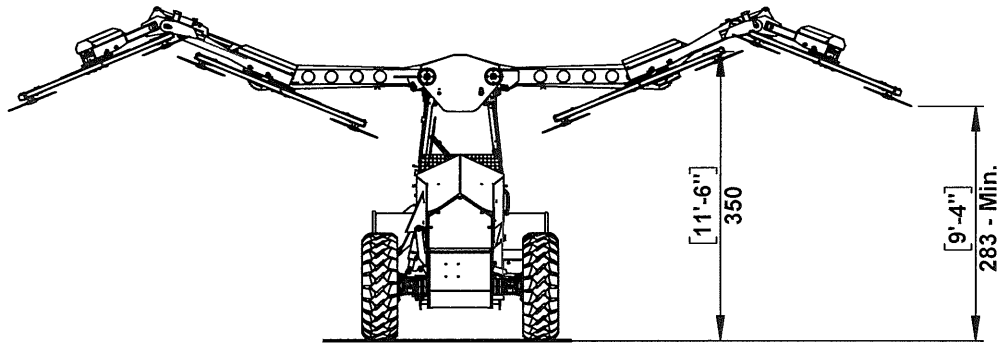
All proprietary rights reserved by TOL Incorporated. This drawing shall not be reproduced or in any way utilized, for the manufacture of the component or unit here in illustrated and must not be replaced to other parties without written consent by TOL Incorporated. Any infringement will be legally pursued.

Machine model:		HD1800AB-T4	
Dimension drawing	Version:	10.2020.02	
As our policy is one of continuous improvement we reserve the right to change specification without notice and without incurring obligation.	Scale:	1:90	
	Date:	Oct. 2020	
	Sheet:	1 of 1	
Machine dimension may vary according to special option, tractor size (kit models), or special feature.	All dimensions are rounded		
Remarks: All dimensions are in dual properties: feet-inches & centimeters			



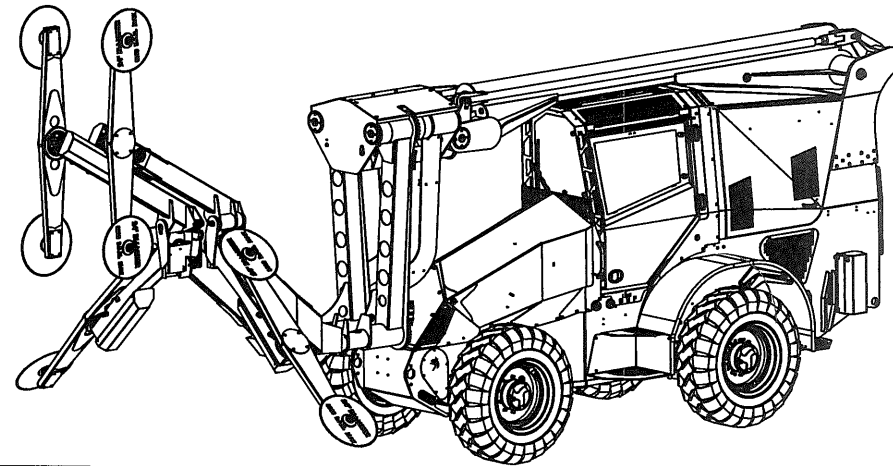
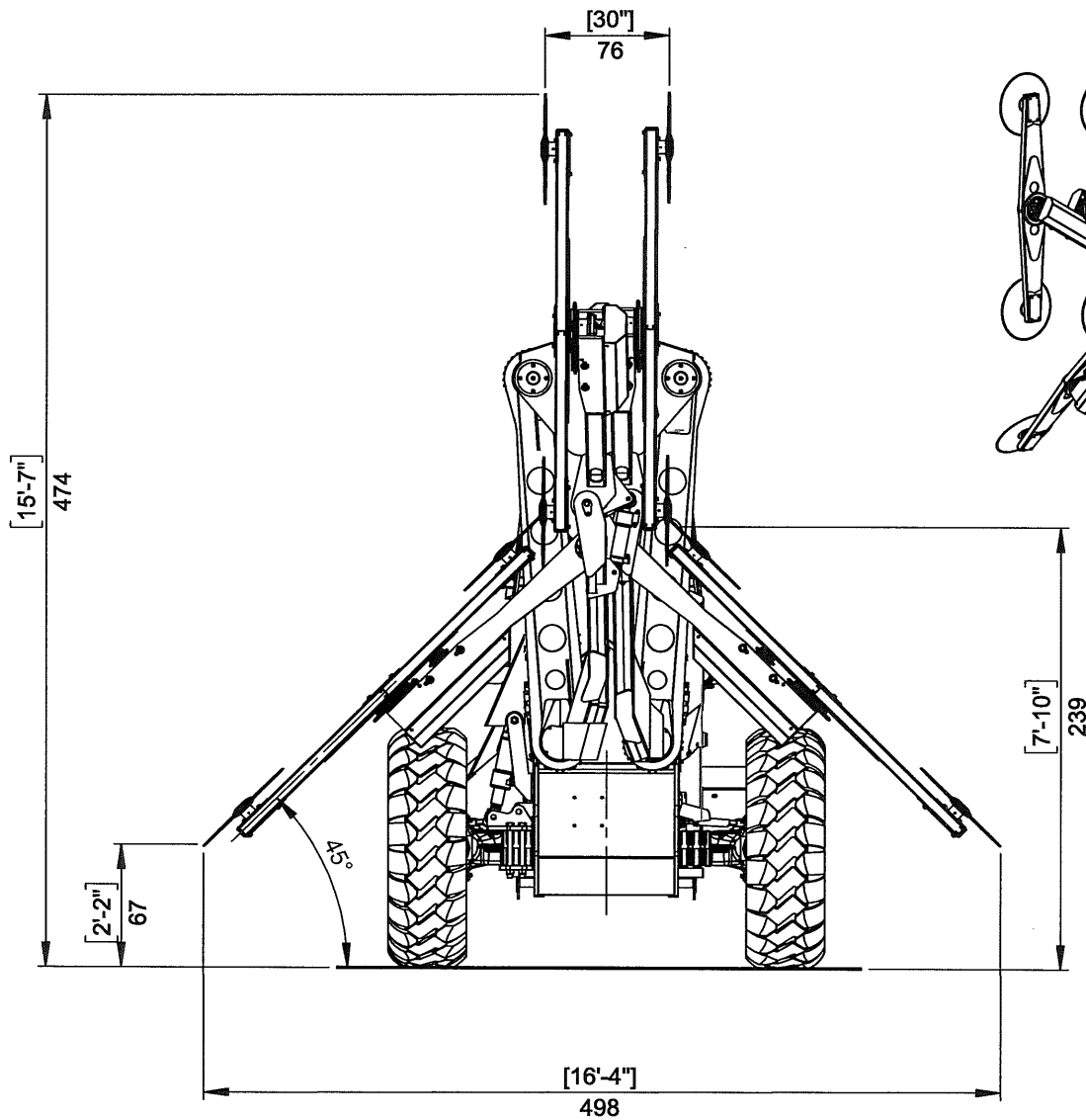
All proprietary rights reserved by TOL Incorporated. This drawing shall not be reproduced or in any way utilized, for the manufacture of the component or unit here in illustrated and must not be replaced to other parties without written consent by TOL Incorporated. Any infringement will be legally pursued.

Machine model:	HD1800AB-T4	
Dimension drawing	Version:	10.2020.02
	Scale:	1:110
	Date:	Oct. 2020
	Sheet:	1 of 1
All dimensions are rounded		
Remarks:	All dimensions are in dual properties: feet-inches & centimeters	




All proprietary rights reserved by TOL Incorporated. This drawing shall not be reproduced or in any way utilized, for the manufacture of the component or unit here in illustrated and must not be replaced to other parties without written consent by TOL Incorporated. Any infringement will be legally pursued.

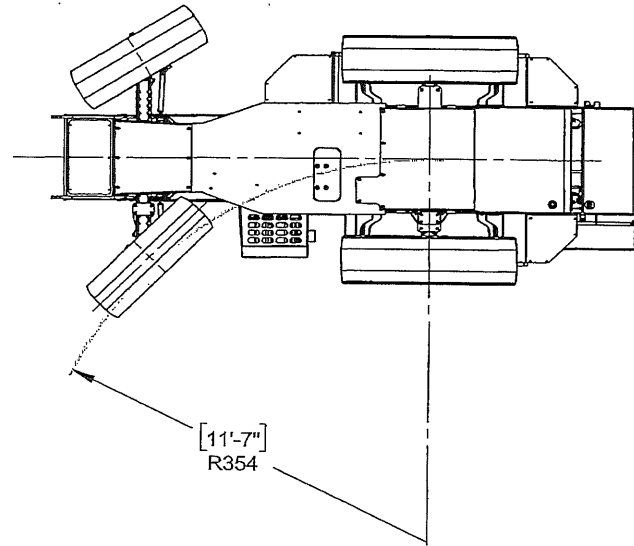
Machine model:	HD1800AB-T4	
Dimension drawing	Version:	10.2020.02
As our policy is one of continuous improvement we reserve the right to change specification without notice and without incurring obligation.	Scale:	1:90
	Date:	Oct.2020
Machine dimension may vary according to special option, tractor size (kit models), or special feature.	Sheet:	1 of 1
	All dimensions are rounded	
Remarks: All dimensions are in dual properties: feet-inches & centimeters		



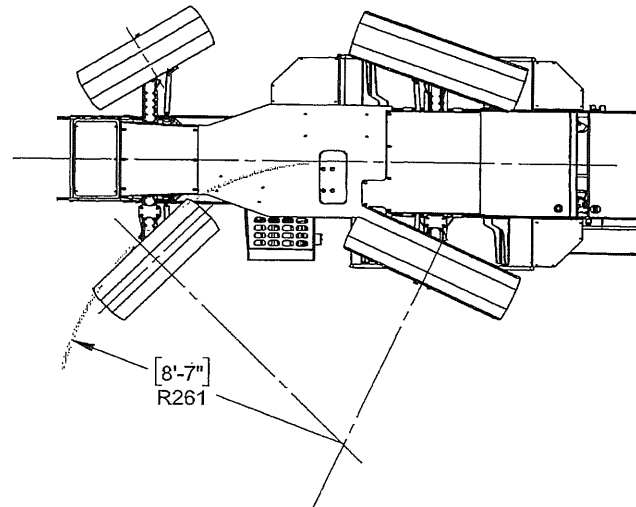
All proprietary rights reserved by TOL Incorporated. This drawing shall not be reproduced or in any way utilized, for the manufacture of the component or unit here in illustrated and must not be replaced to other parties without written consent by TOL Incorporated. Any infringement will be legally pursued.

Machine model:		HD1800AB-T4	
Dimension drawing	Version:	10.2020.02	
	Scale:	1:40	
	Date:	Oct. 2020	
Machine dimension may vary according to special option, tractor size (kit models), or special feature.	Sheet:	1 of 1	
Remarks: All dimensions are in dual properties: feet-inches & centimeters			

All dimensions are rounded



2WS



4WS

All proprietary rights reserved by TOL Incorporated. This drawing shall not be reproduced or in any way utilized, for the manufacture of the component or unit here in illustrated and must not be replaced to other parties without written consent by TOL Incorporated. Any infringement will be legally pursued.

Machine model:	HD1800AB - T4		
Dimension drawing	Version:	10.2020.02	
As our policy is one of continuous improvement we reserve the right to change specification without notice and without incurring obligation.	Scale:	1:60	
	Date:	May 2019	
	Sheet:	7 of 7	
Machine dimension may vary according to special option, tractor size (kit models), or special feature.	All dimensions are rounded		
Remarks: All dimensions are in dual properties: feet-inches & centimeters.	