
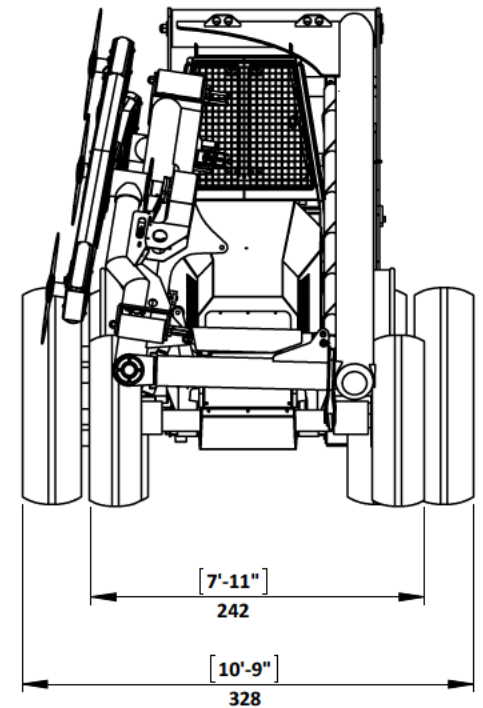
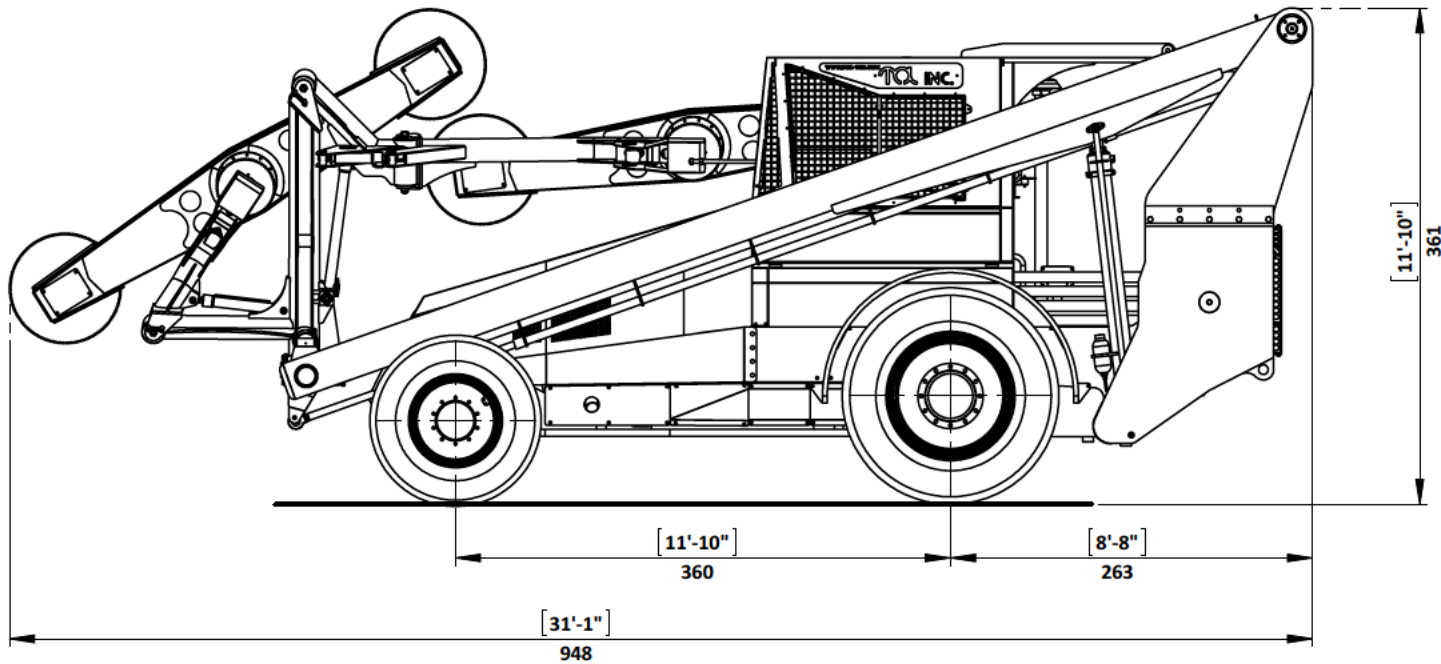



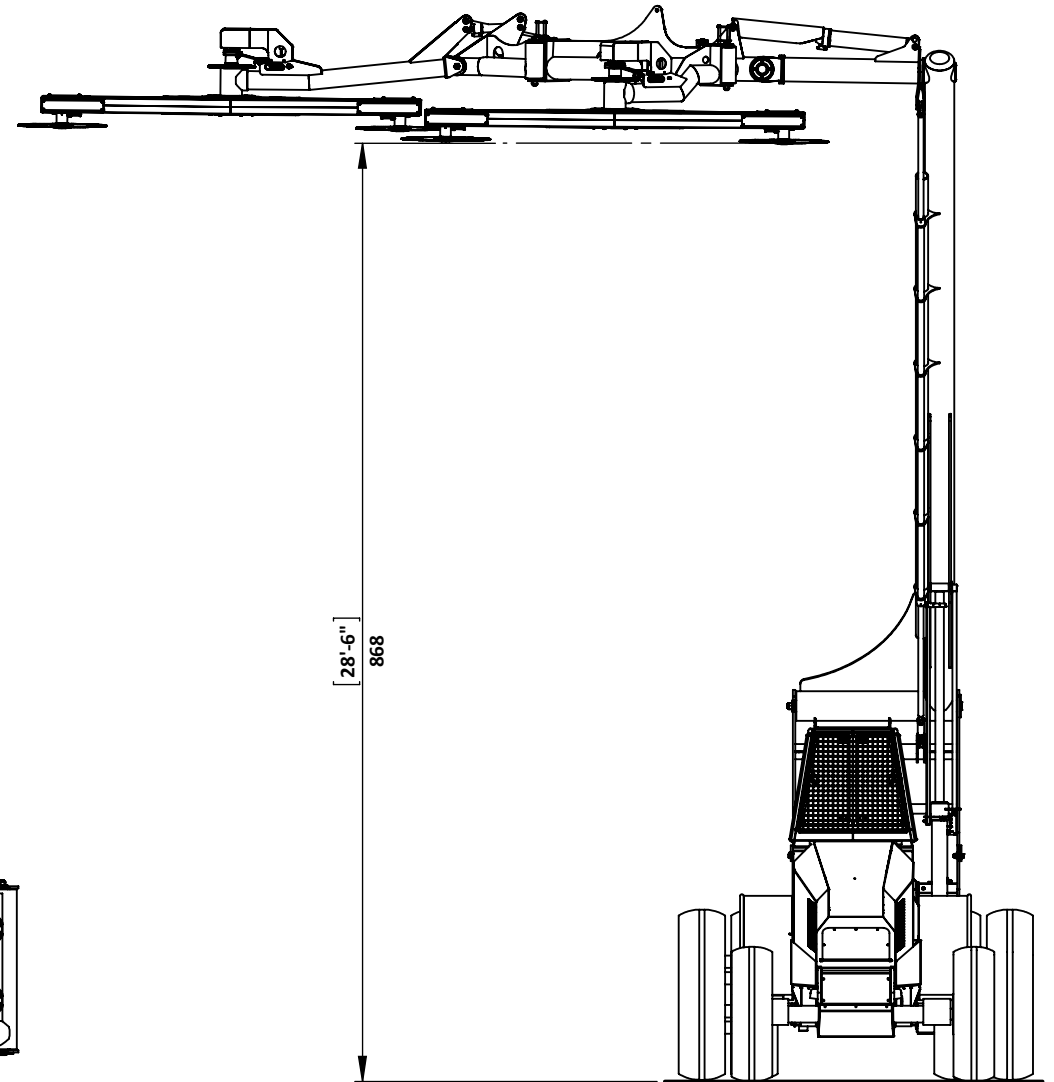
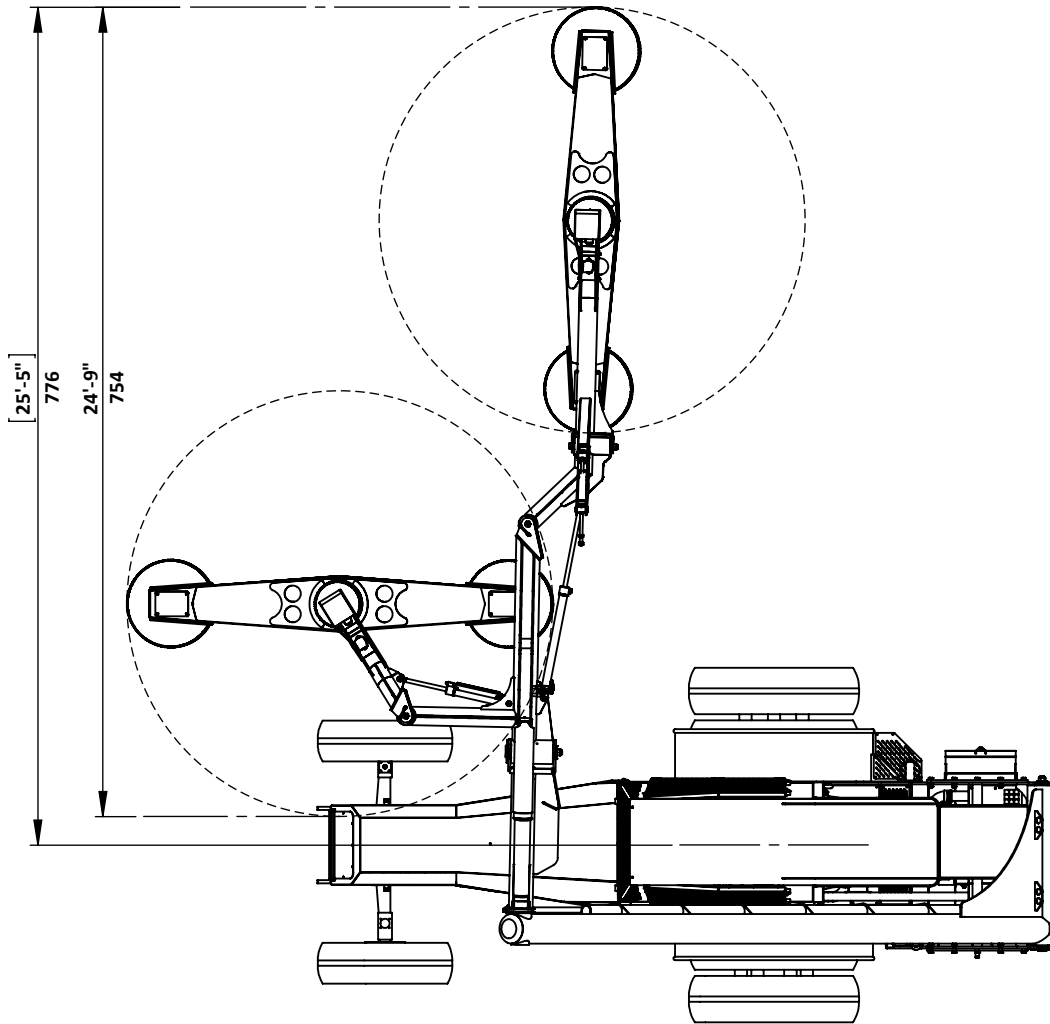
All proprietary rights reserved by TOL Incorporated. This drawing shall not be reproduced or in any way utilized, for the manufacture of the component or unit here in illustrated and must not be replaced to other parties without written consent by TOL Incorporated. Any infringement will be legally pursued.

Machine model:		TH 4500	
Dimension drawing	Version:	07.2015.00	
As our policy is one of continuous improvement we reserve the right to change specification without notice and without incurring obligation.	Scale:	1:45	
	Date:	July 2015	
Machine dimension may vary according to special option, tractor size (kit models), or special feature.	Sheet:	1 of 6	
	All dimensions are rounded		
Remarks:	All dimensions are in dual properties: feet-inches & centimeters		
			




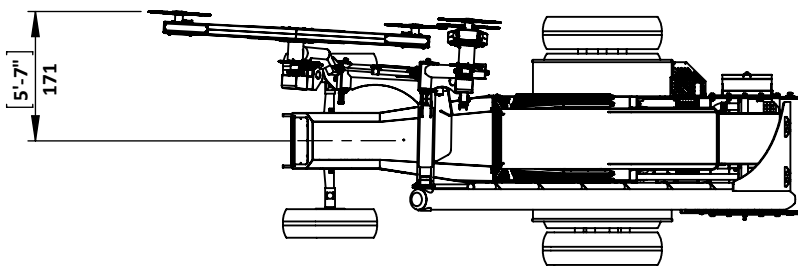
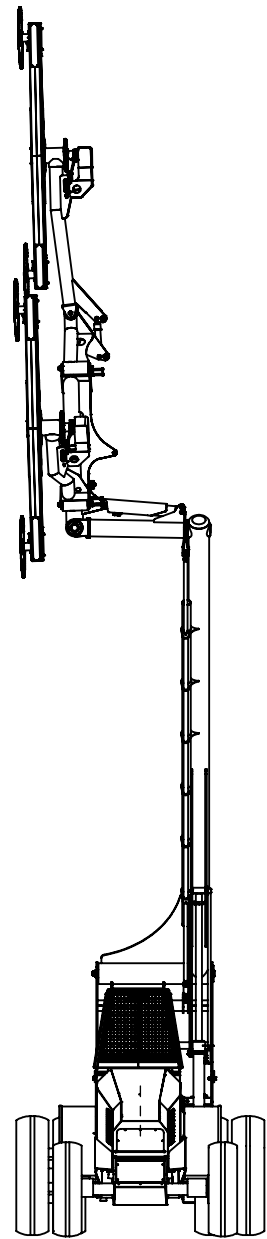
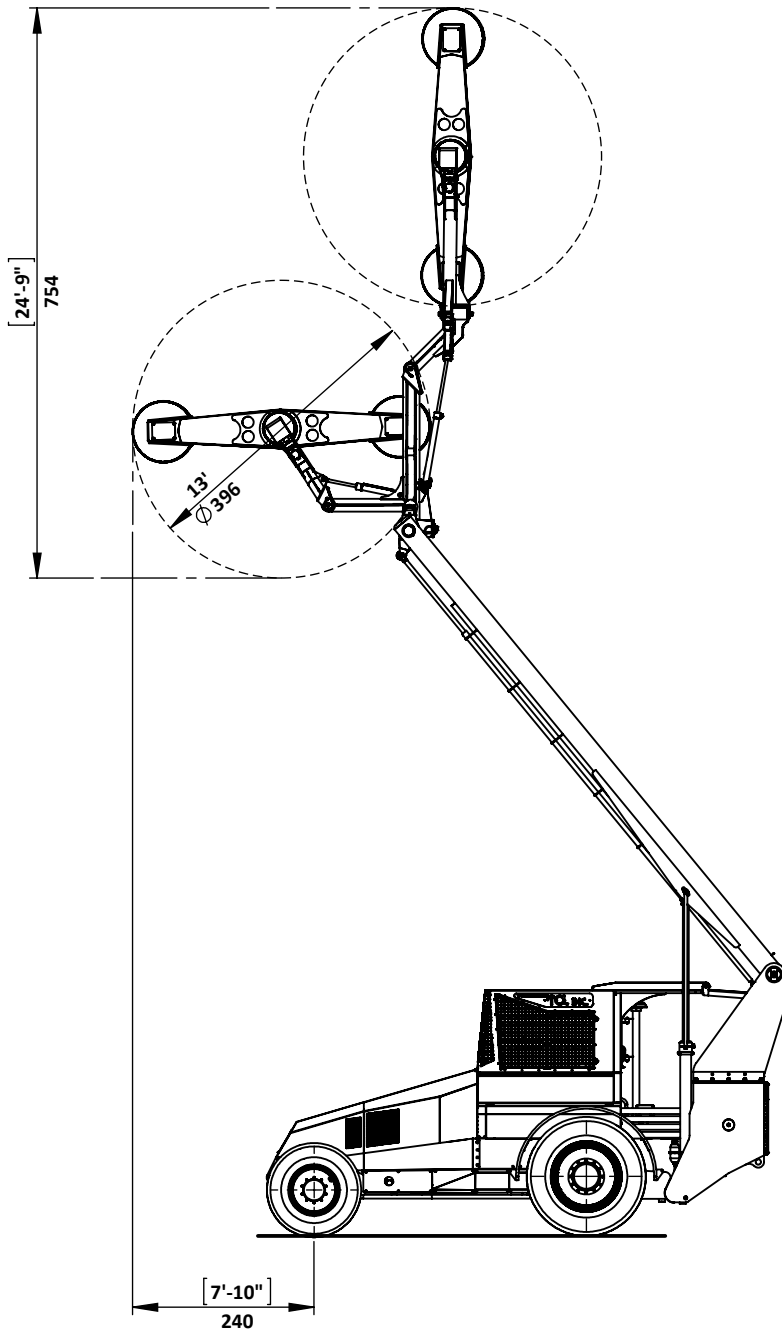
All proprietary rights reserved by TOL Incorporated. This drawing shall not be reproduced or in any way utilized, for the manufacture of the component or unit here in illustrated and must not be replaced to other parties without written consent by TOL Incorporated. Any infringement will be legally pursued.

Machine model:		TH 4500	
Dimension drawing	Version:	07.2015.00	
As our policy is one of continuous improvement we reserve the right to change specification without notice and without incurring obligation.	Scale:	1:55	
	Date:	July 2015	
	Sheet:	2 of 6	
Machine dimension may vary according to special option, tractor size (kit models), or special feature.	All dimensions are rounded		
Remarks: All dimensions are in dual properties: feet-inches & centimeters			




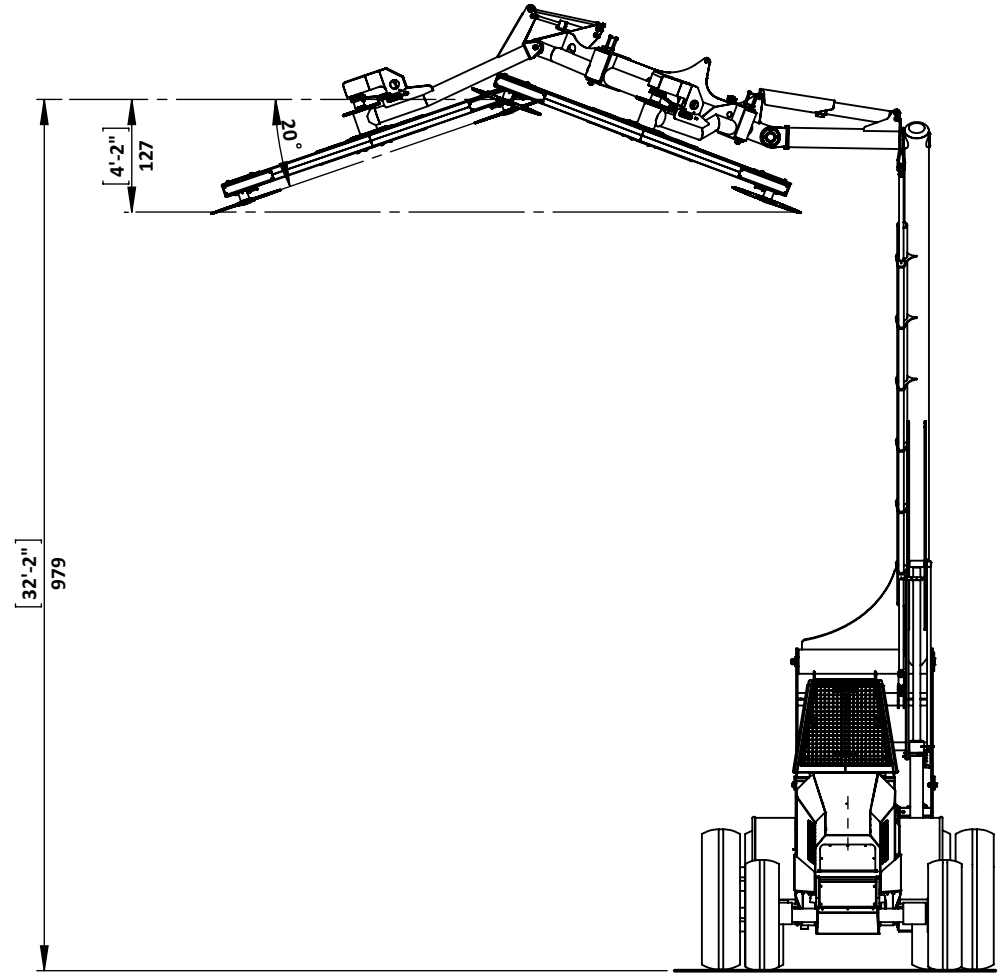
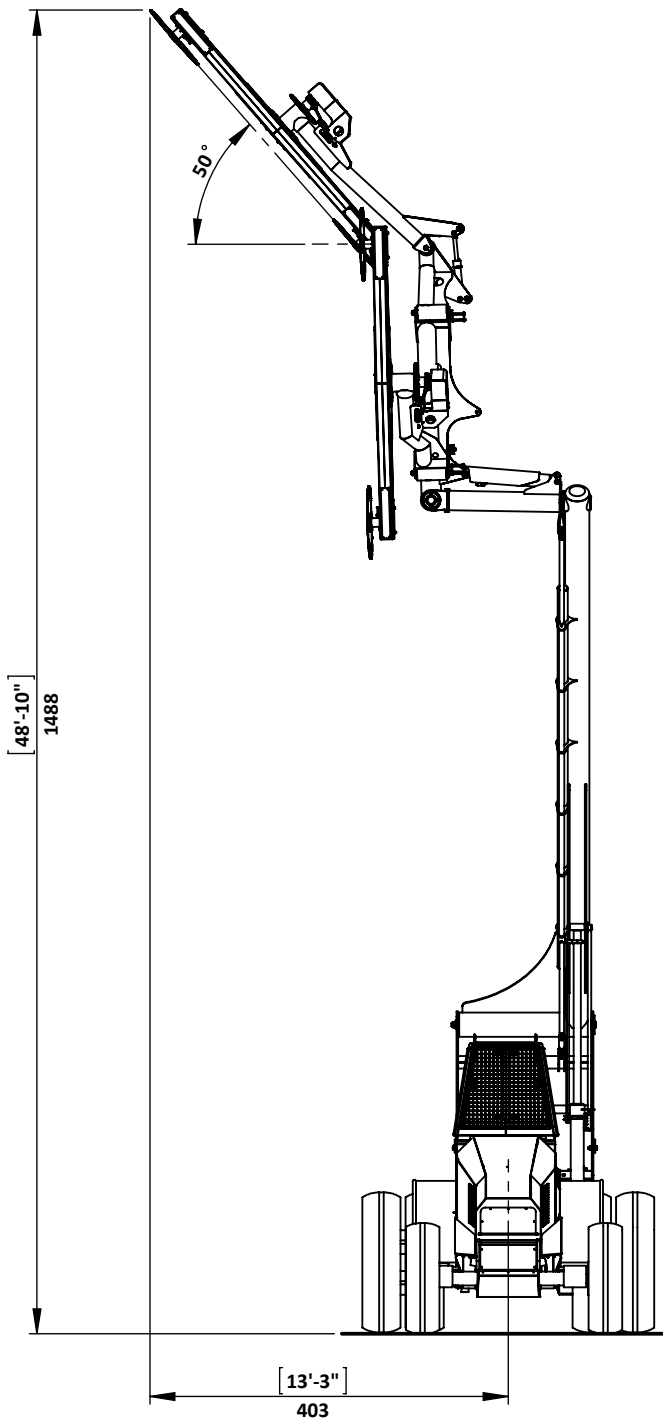
All proprietary rights reserved by TOL Incorporated. This drawing shall not be reproduced or in any way utilized, for the manufacture of the component or unit here in illustrated and must not be replaced to other parties without written consent by TOL Incorporated. Any infringement will be legally pursued.

Machine model:	TH 4500		
Dimension drawing	Version:	07.2015.00	
As our policy is one of continuous improvement we reserve the right to change specification without notice and without incurring obligation.	Scale:	1:70	
	Date:	July 2015	
Machine dimension may vary according to special option, tractor size (kit models), or special feature.	Sheet:	3 of 6	
	All dimensions are rounded		
Remarks: All dimensions are in dual properties: feet-inches & centimeters			




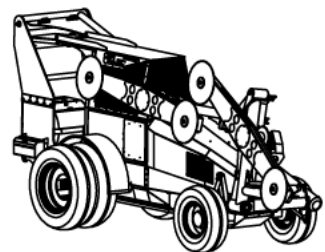
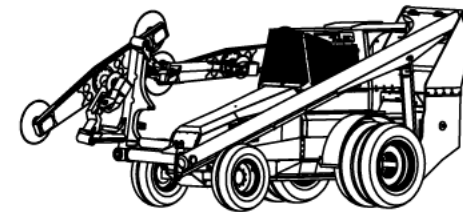
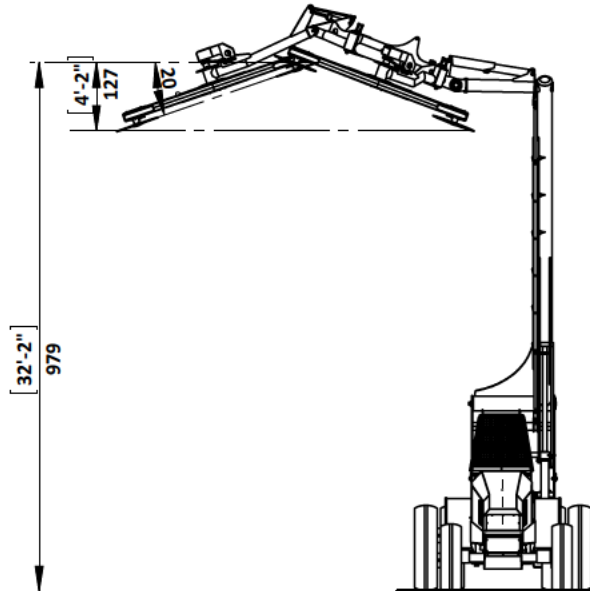
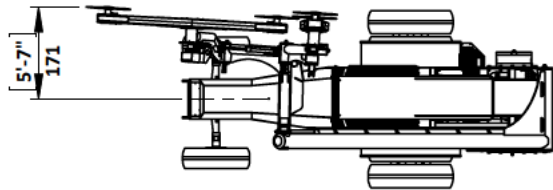
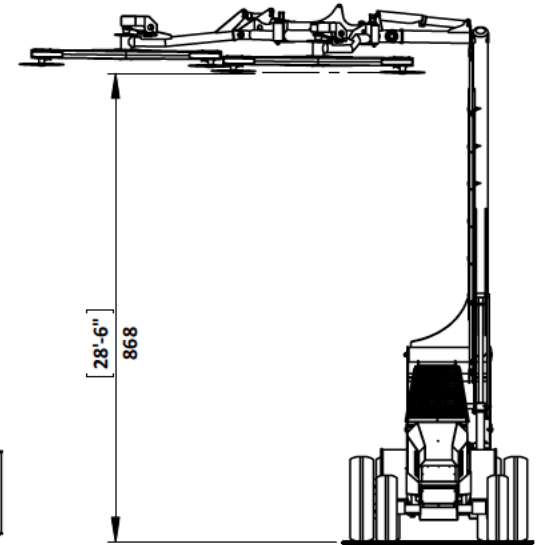
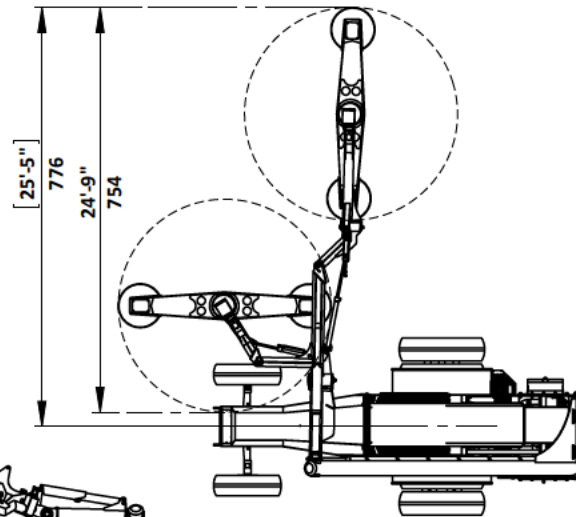
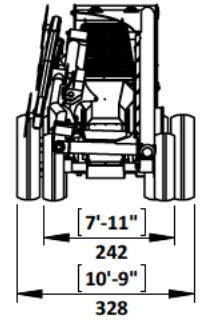
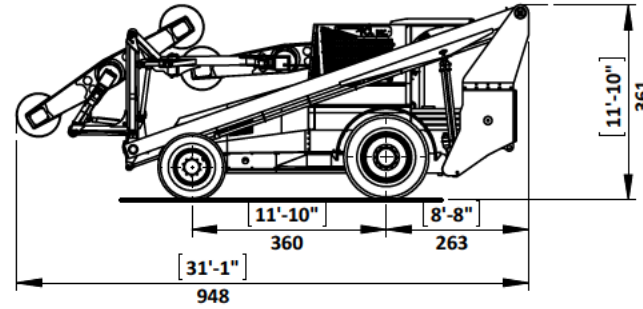
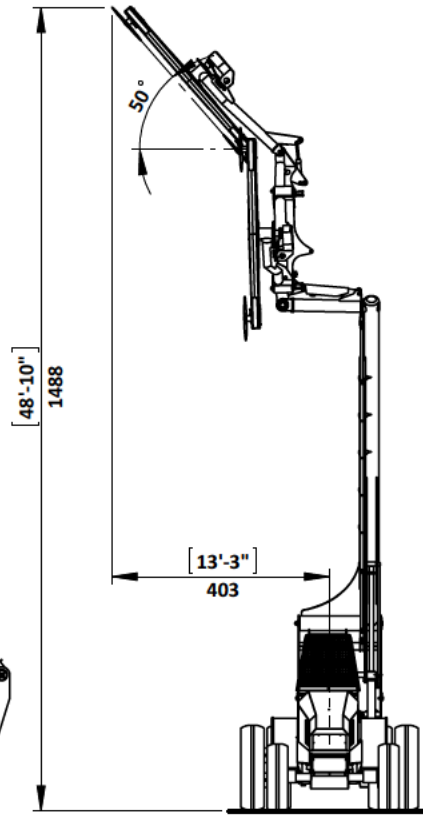
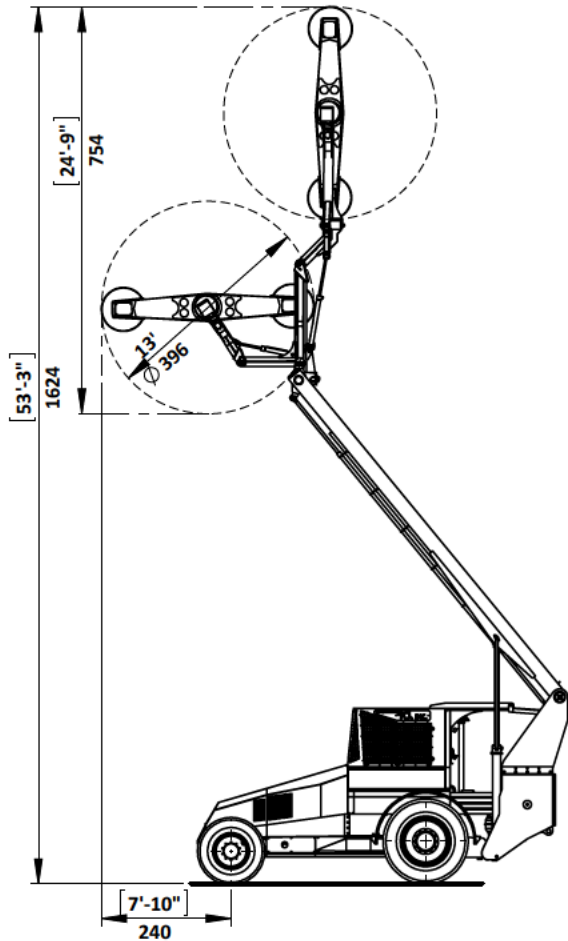
All proprietary rights reserved by TOL Incorporated. This drawing shall not be reproduced or in any way utilized, for the manufacture of the component or unit here in illustrated and must not be replaced to other parties without written consent by TOL Incorporated. Any infringement will be legally pursued.

Machine model:		TH 4500	
Dimension drawing		Version:	07.2015.00
As our policy is one of continuous improvement we reserve the right to change specification without notice and without incurring obligation.		Scale:	1:100
		Date:	July 2015
Machine dimension may vary according to special option, tractor size (kit models), or special feature.		Sheet:	4 of 6
		All dimensions are rounded	
Remarks: All dimensions are in dual properties: feet-inches & centimeters			



All proprietary rights reserved by TOL Incorporated. This drawing shall not be reproduced or in any way utilized, for the manufacture of the component or unit here in illustrated and must not be replaced to other parties without written consent by TOL Incorporated. Any infringement will be legally pursued.

Machine model:	TH 4500		
Dimension drawing	Version:	07.2015.00	
As our policy is one of continuous improvement we reserve the right to change specification without notice and without incurring obligation.	Scale:	1:85	
	Date:	July 2015	
Machine dimension may vary according to special option, tractor size (kit models), or special feature.	Sheet:	5 of 6	
	All dimensions are rounded		
Remarks: All dimensions are in dual properties: feet-inches & centimeters			



All proprietary rights reserved by TOL Incorporated. This drawing shall not be reproduced or in any way utilized, for the manufacture of the component or unit here in illustrated and must not be replaced to other parties without written consent by TOL Incorporated. Any infringement will be legally pursued.

Machine model:	TH 4500	
Dimension drawing	Version:	07.2015.00
As our policy is one of continuous improvement we reserve the right to change specification without notice and without incurring obligation.	Scale:	1:140
	Date:	July 2015
Machine dimension may vary according to special option, tractor size (kit models), or special feature.	Sheet:	6 of 6
	All dimensions are rounded	
Remarks:	All dimensions are in dual properties: feet-inches & centimeters	